

## PRODUCT SPECIFICATIONS

STYLE # D9-6005

SERIES NAME: SPACE

CATEGORY: Recessed

STRUCTURE: Metal

COLOR /FINISH: Metallic Gray

DIFFUSER: N/A

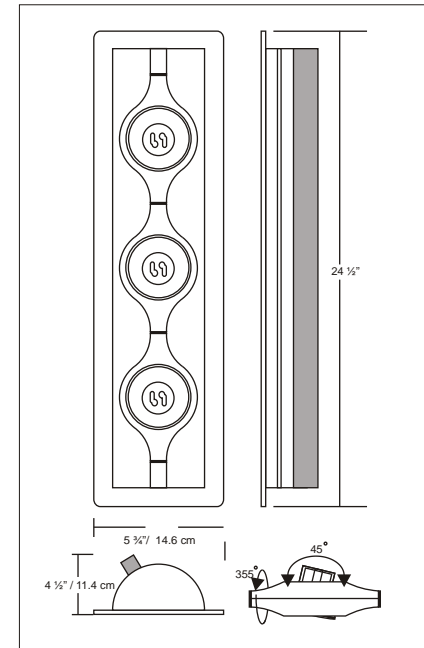
LAMP TYPE: Halogen GZ10 MR20

MAX WATT: 3 x 75W

DIMENSIONS: L. 24 1/2" x W. 5 3/4" x Ht. 4 1/2"

APPROVALS: Approved by CSA for  
North American Standards

NOTES: \_\_\_\_\_



CUTOUT: 595 x 130 H. 90 mm / 23 1/2" x 5 1/2"