



JOB: \_\_\_\_\_

LOCATION: \_\_\_\_\_

DATE: \_\_\_\_\_

## PRODUCT SPECIFICATIONS

STYLE # D9-6002

SERIES NAME: SPACE

CATEGORY: Recessed

COLOR /FINISH: Metallic Gray

DIFFUSER: Glass

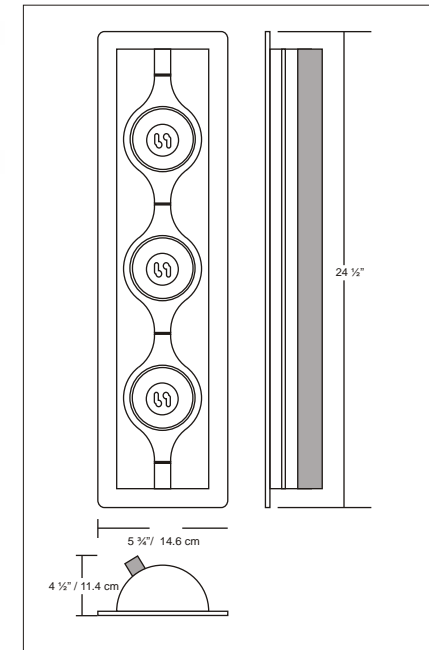
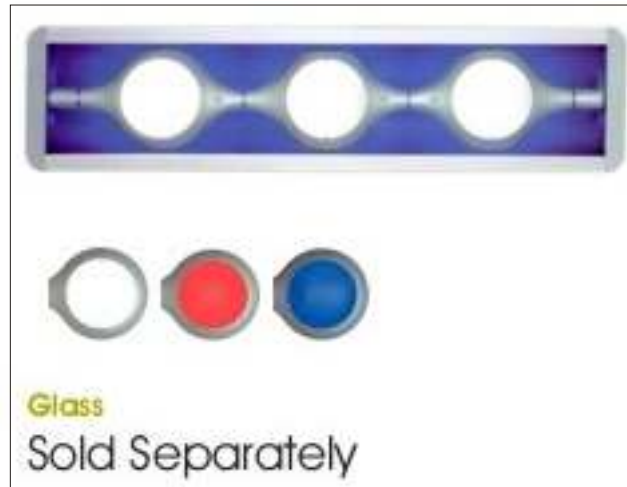
LAMP TYPE: Halogen G9

MAX WATT: 3 x 60W

DIMENSIONS: L. 24 1/2" x W. 5 3/4" x Ht. 4 1/2"

APPROVALS: Approved by CSA for  
North American Standards

NOTE: Glass Sold Separately (See D9-9000, D9-9001, D9-9002)



CUTOUT: 595 x 130 H. 90 mm / 23 1/2" x 5 1/2"