



JOB: _____

LOCATION: _____

DATE: _____

PRODUCT SPECIFICATIONS

STYLE # D9-6001

SERIES NAME: SPACE

CATEGORY: Recessed

COLOR /FINISH: Metallic Gray

DIFFUSER: Glass

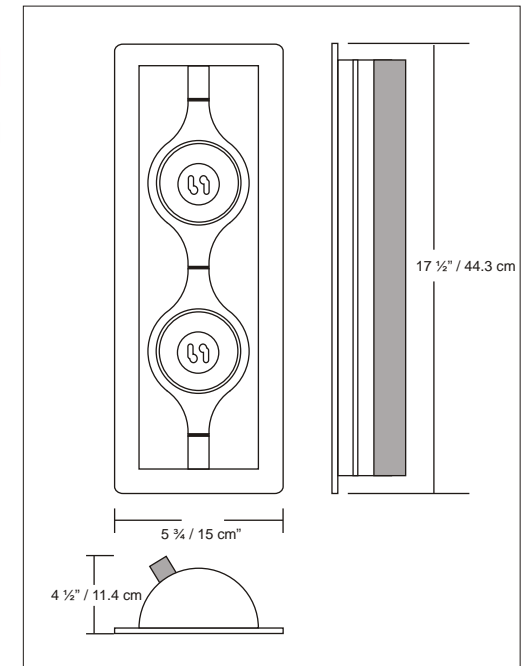
LAMP TYPE: Halogen G9

MAX WATT: 2 x 60W

DIMENSIONS: L. 17 ½" x W. 5 ¾" x Ht. 4 ½"

APPROVALS: Approved by CSA for
North American Standards

NOTE: Glass Sold Separately (See D9-9000, D9-9001, D9-9002)



CUTOUT: 425 x 130 H. 90 mm / 16 ¾" x 5 ½"