

PRODUCT SPECIFICATIONS

STYLE # D8-3095

SERIES NAME: TOURBILLON

CATEGORY: Wall Sconce

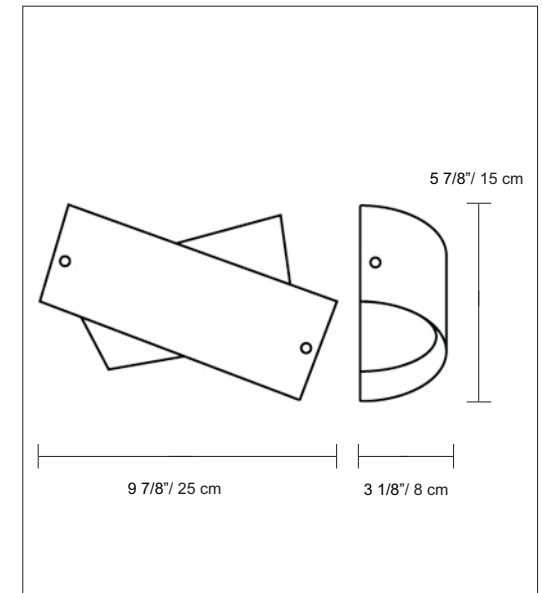
DIFFUSER: White - Red Glass

LAMP TYPE: Halogen T3Q/3 (79mm)

MAX WATT: 1 x 100W

DIMENSIONS: W. 9 7/8" x Ht. 5 7/8" x Ext. 3 1/8"

APPROVALS: Approved by CSA for
North American Standards.



NOTES: _____
