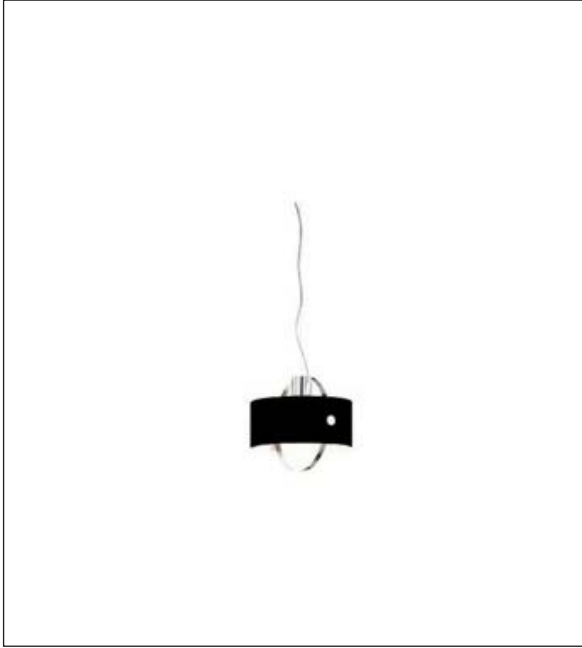
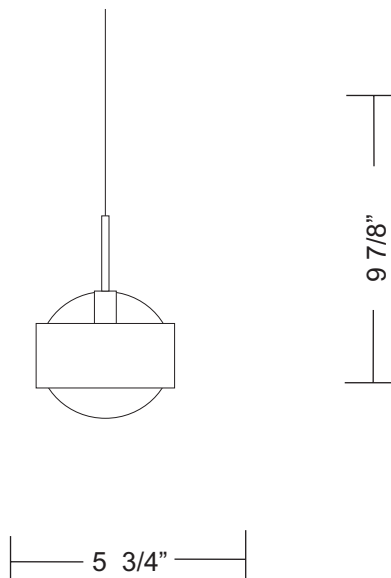


**RING PENDANT**



Dimensions



STANDARD: COMES WITH 5 FEET OF WIRE AND AIRCRAFT CABLE

**Project Name:** \_\_\_\_\_

**Fixture Type:** \_\_\_\_\_

**Product Code: D8-1170**

**Style:** Pendant without Canopy

**Structure:** Metal

**Diffuser:** Black Glass

**Finish:** Chrome

**Max Watt:** 1 x 60W

**Lamp/Ballast:** G9 Halogen

**Dimensions:** D. 5 3/4" x Ht. 9 7/8"

**Approval:** Approved by  for North American Standards..

**Notes:** \_\_\_\_\_

\_\_\_\_\_

\_\_\_\_\_

\_\_\_\_\_

\_\_\_\_\_

\_\_\_\_\_