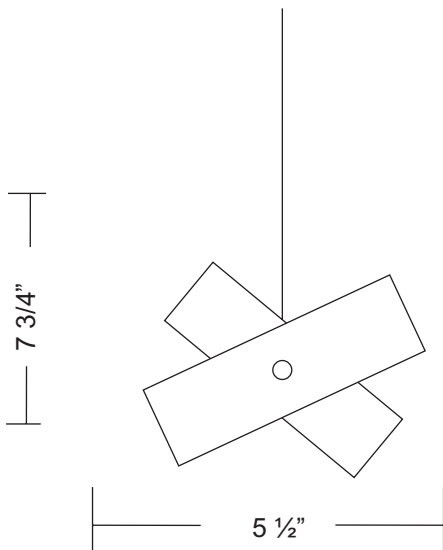


TOURBILLON PENDANT



Dimensions



STANDARD: COMES WITH 5 FEET OF WIRE AND AIRCRAFT CABLE

Project Name: _____

Fixture Type: _____

Product Code: D8-1148

Style: Pendant

Diffuser: White & Green Blown Glass

Finish: Nickel

Lamp: 1 x 60W

Voltage: Halogen G9

Dimensions: Dia. 5 1/2" x Ht. 7 3/4"

Approval: Approved by  for North American Standards..

Notes: **REQUIRES HOLDER- SOLD SEPARATELY**
