

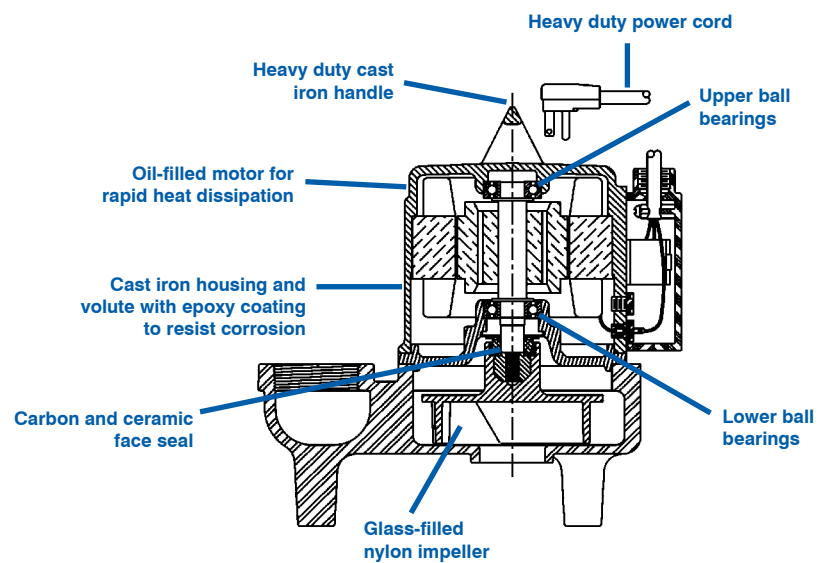
# Little GIANT®

## 10SH-CIA-VDS



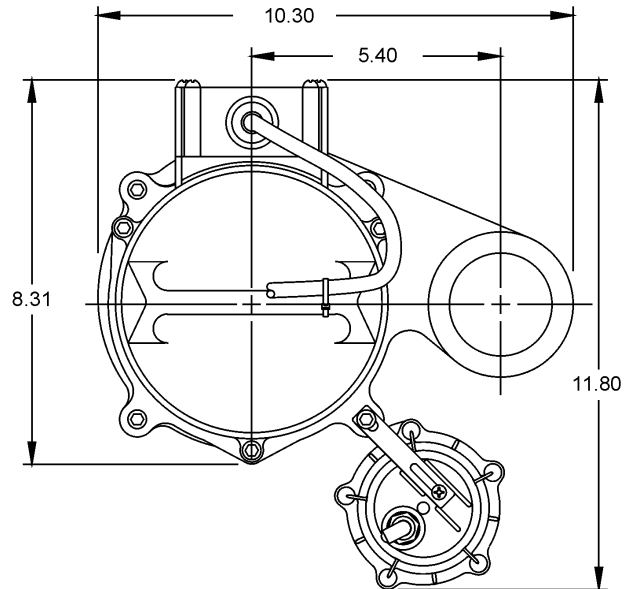
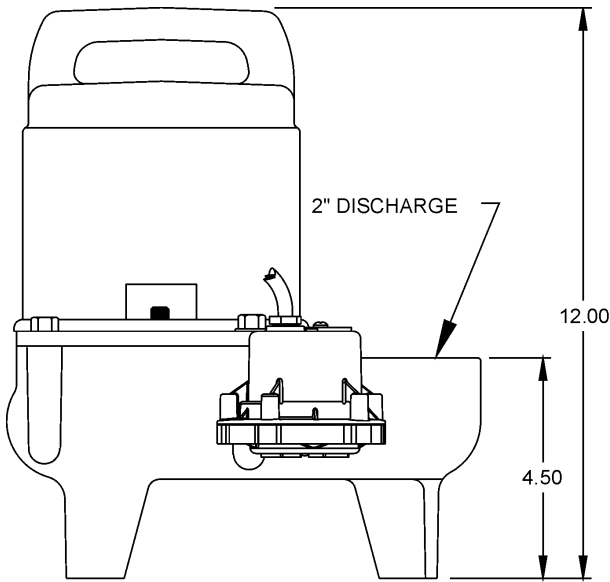
### Features

- Handles liquids and solid waste materials up to 1¼" diameter
- Cast iron pump housing and volute with protective epoxy coating for corrosion and rust resistance
- Oil-filled motor housing for lifetime lubrication and rapid heat dissipation
- Stainless steel fasteners
- Mechanical seals (stainless steel spring, nitrile parts, carbon and ceramic faces)
- Thermal overload protection
- Automatic operation: "On" level approximately 13", "Off" level approximately 3"
- Piggyback vertical diaphragm switch



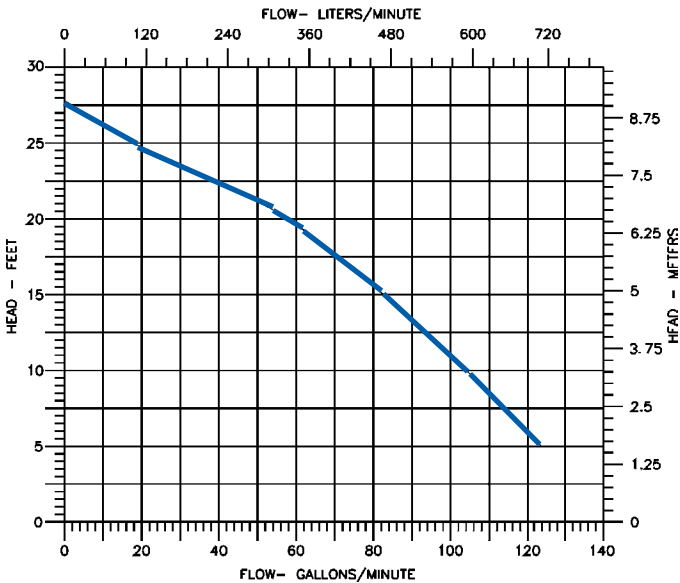
For increased pumping rates and higher head requirements, the Model 10SH-CIA-VDS Wastewater pumps offer greater head capacities than the 10S-CIA-VDS. Pumps feature a 2" discharge, with a maximum head of 28'. Cast iron housing and volute have a protective epoxy coating.

# 10SH-CIA-VDS



## Specifications

Model No.	Item No.	Listings	HP	Volts	Solids (dia.)	Running Amps/Watts	Performance (GPM @ Head)				Shut Off		Pwr. Cord (ft.)	Weight (lbs.)	Height	Length	Width
							10'	15'	20'	25'	Feet	PSI					
10SH-CIA-VDS	511421	UL/CSA	1/2	115	1-1/4"	11/900	100	80	55	20	28	12.1	15	41.5	12.00	10.3	11.8



## Construction

Motor Housing	Epoxy coated cast iron
Impeller Material	Glass-filled nylon
Impeller Type	Vortex
Volute	Epoxy coated cast iron
Power Cord	SJTW
Mechanical Shaft Seal	Nitrile w/carbon and ceramic faces
Fasteners	Stainless steel
Shaft	Steel
Bearings	Upper and lower ball bearings