

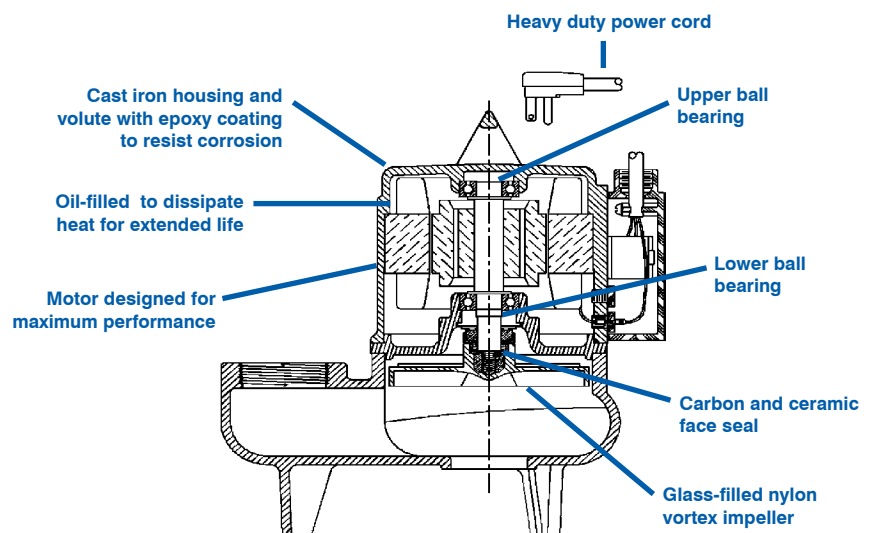
Little GIANT®

10S-CIA-VDS



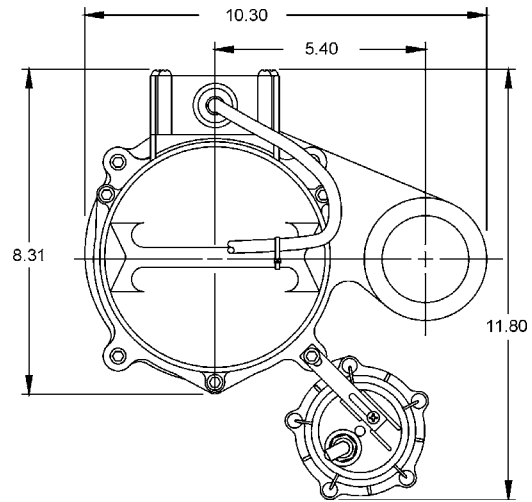
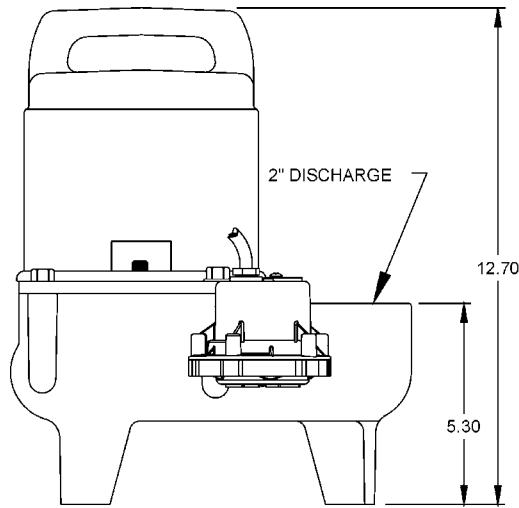
Features

- Handles liquids and solid waste materials up to 2" diameter.
- Cast iron pump housing and volute with protective epoxy coating for corrosion and rust resistance
- Oil-filled motor housing for lifetime lubrication and rapid heat dissipation
- Stainless steel fasteners
- Mechanical seals (stainless steel spring, nitrile parts, carbon and ceramic faces)
- Thermal overload protection
- Automatic operation: "On" level approximately 14", "Off" level approximately 4" (pressure switch is non-adjustable)
- Piggyback vertical diaphragm switch



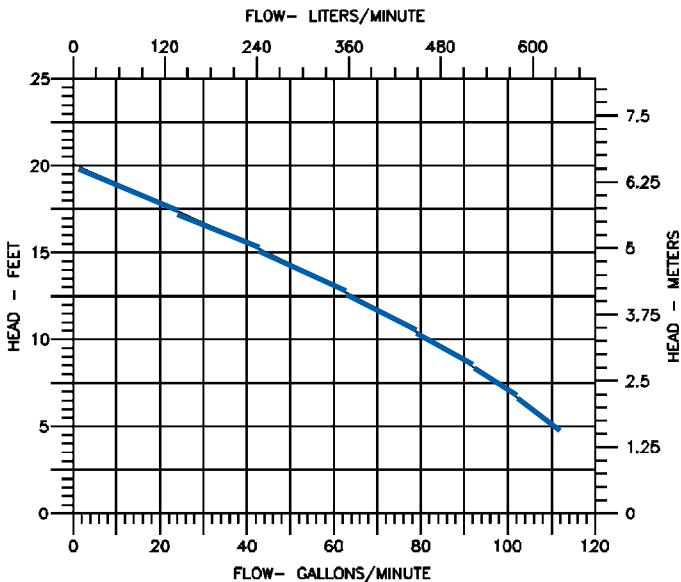
For increased pumping demands, the Model 10S-CIA-VDS Wastewater and Sewage Ejector pumps offer greater capacities than the 9S-CIA-VDS. Pumps feature a 2" discharge, with a maximum head of 20'. Cast iron housing and volute with protective epoxy coating.

10S-CIA-VDS



Specifications

Model No.	Item No.	Listings	HP	Volts	Solids (dia.)	Running Amps/Watts	Performance (GPM @ Head)			Shut Off		Pwr. Cord (ft.)	Weight (lbs.)	Height	Length	Width
							5'	10'	15'	Feet	PSI					
10S-CIA-VDS	511401	UL/CSA	1/2	115	2"	12/1000	110	85	45	20	8.7	15	47	12.70	10.3	11.8



Construction

Motor Housing	Epoxy coated cast iron
Impeller Material	Nylon
Impeller Type	Vortex
Volute	Epoxy coated cast iron
Power Cord	SJTW
Mechanical Shaft Seal	Nitrile w/carbon and ceramic faces
Fasteners	Stainless steel
Shaft	Steel
Bearings	Upper and lower ball bearings