

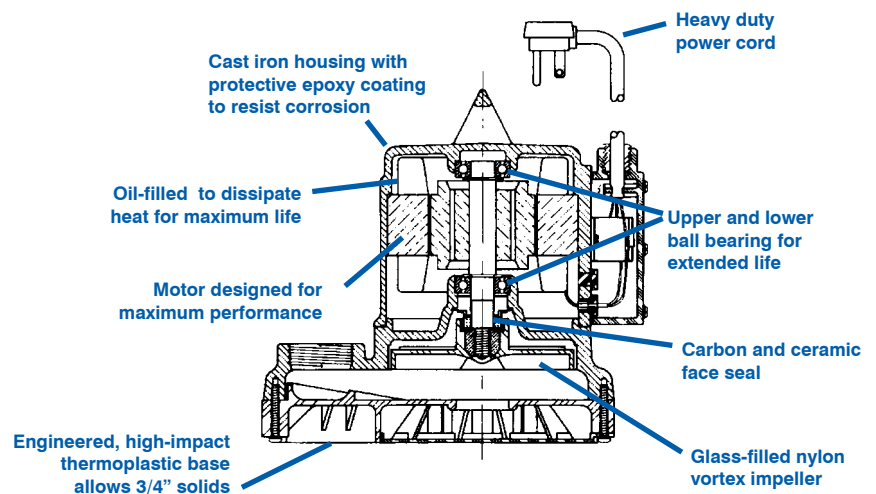
Little GIANT®

10E-CIA-VDS



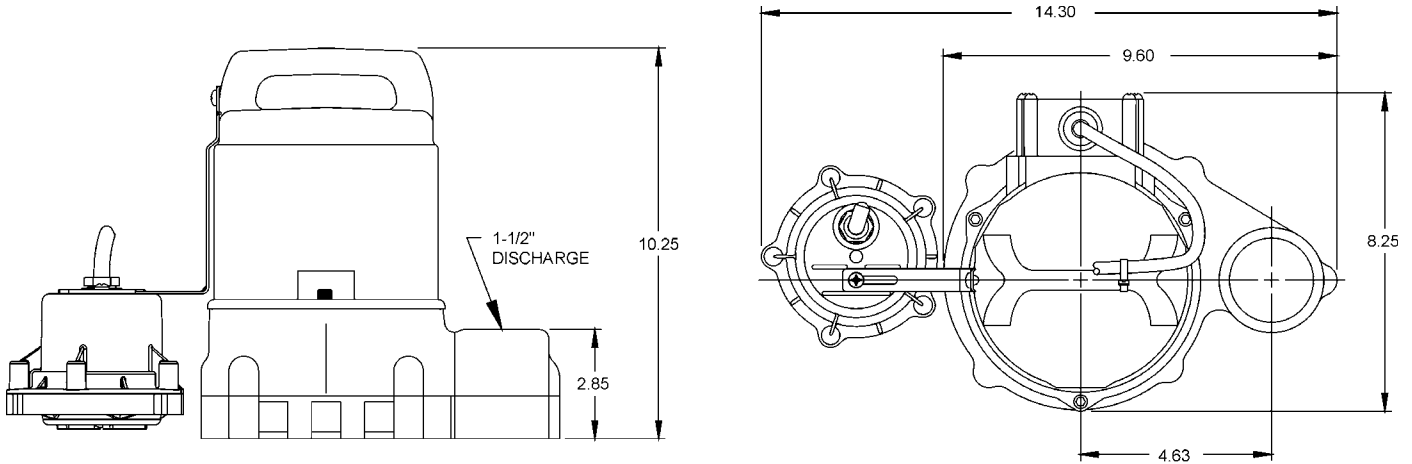
Features

- Handles liquids and solid waste materials up to 3/4" diameter
- Cast iron pump housing with protective epoxy coating for corrosion resistance
- Oil-filled motor housing for lifetime lubrication and rapid heat dissipation
- Stainless steel fasteners
- Mechanical seals (stainless steel spring, nitrile parts, Carbon and ceramic faces)
- Bearings: Upper and lower ball bearings
- Thermal overload protection
- Automatic operation: "On" level approximately 12", "Off" level approximately 2" (pressure switch is non-adjustable)
- Piggyback vertical diaphragm switch



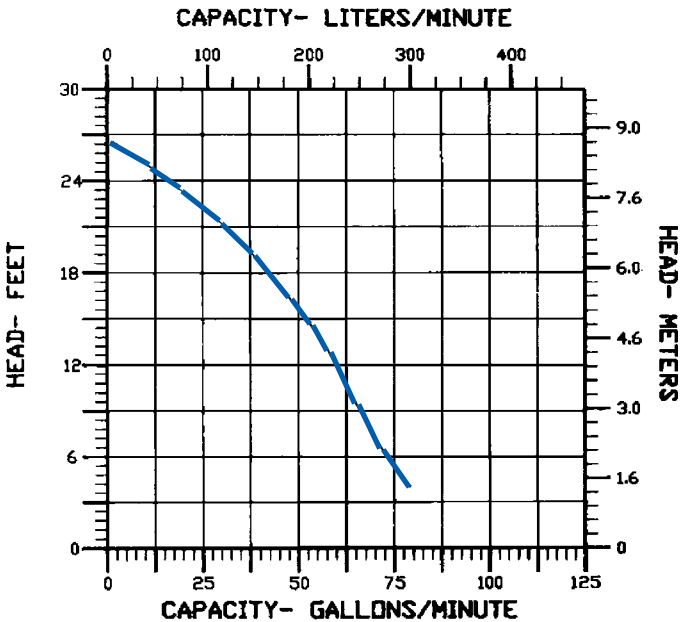
The Model 10E-CIA-VDS De-watering and Effluent pumps are for residential, commercial and light industrial applications. Pumps feature a 1-1/2" discharge, with a maximum head of 26', ABS base, vortex nylon impeller and glass-filled electrical case.

10E-CIA-VDS



Specifications

Model No.	Item No.	Listings	HP	Volts	Solids (dia.)	Running Amps/Watts	Performance (GPM @ Head)				Shut Off Feet	PSI	Pwr. Cord (ft.)	Weight (lbs.)	Height	Length	Width
							5'	10'	15'	20'							
10E-CIA-VDS	511201	UL/CSA	1/2	115	3/4"	10.5/900	80	67	52	33	26	11.2	15	37	10.25	14.30	8.30



Construction

Motor Housing	Epoxy coated cast iron
Impeller Material	Nylon
Impeller Type	Vortex
Volute	Epoxy coated cast iron
Power Cord	SJTW-A
Mechanical Shaft Seal	Nitrile w/carbon and ceramic faces
Fasteners	Stainless steel
Shaft	Steel
Bearings	Upper and lower ball bearings