

Little GIANT®

9EH-CIA-VDS

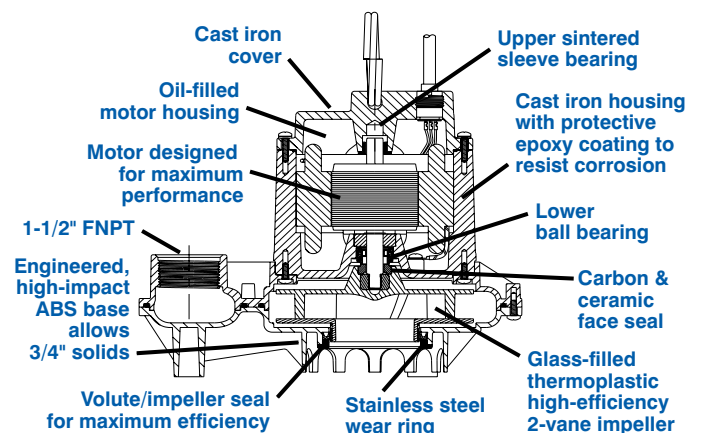


Features

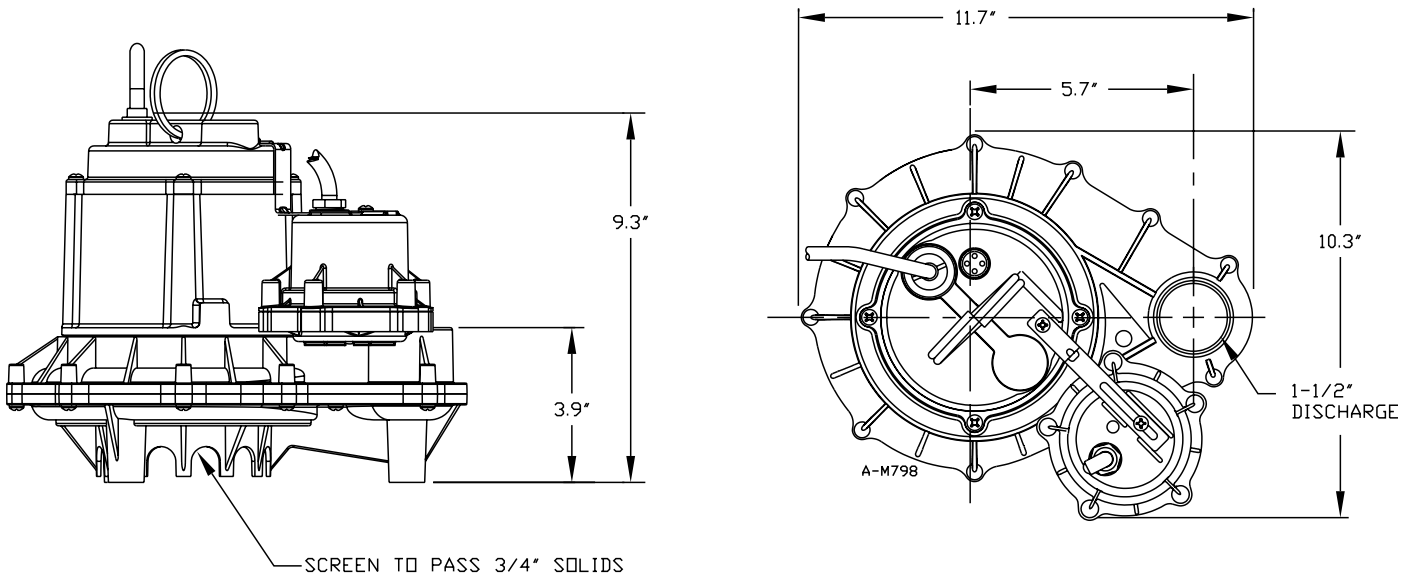
- Handles liquids and solid waste materials up to 3/4" diameter.
- Cast iron pump housing and cover with protective epoxy coating for corrosion resistance
- Oil-filled motor housing for lifetime lubrication and rapid heat dissipation
- Stainless steel screws, bolts and handle and seal assembly
- Mechanical seals (stainless steel spring, nitrile parts, carbon and ceramic faces)
- Bearings: Upper sintered sleeve bearing and lower ball bearing
- Thermal overload protection
- Automatic operation: "On" level approximately 15", "Off" level approximately 5" (pressure switch is non-adjustable)
- Piggyback vertical diaphragm switch



The Model 9EH-CIA-VDS De-watering and Effluent pumps are for residential and light to medium commercial use. Pumps feature a 1-1/2" discharge with head capacity of 32' and ABS base.



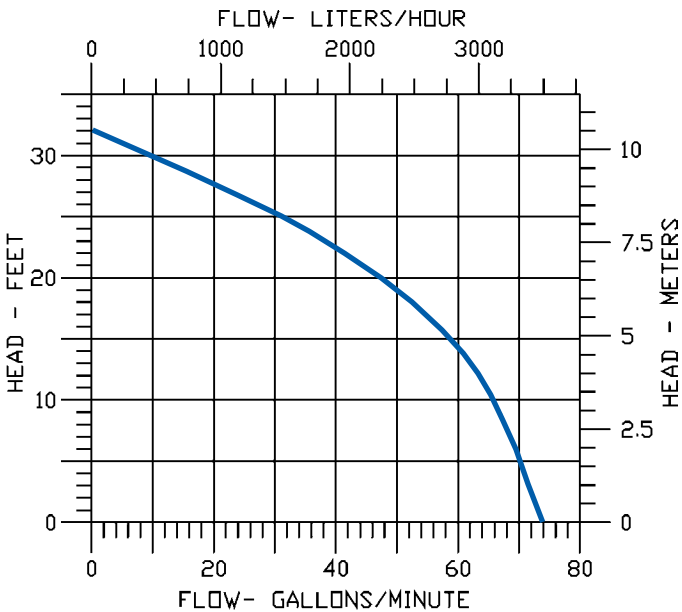
9EH-CIA-VDS



Specifications

Model No.	Item No.	Listings	HP	Volts	Solids (dia.)	Running Amps/Watts	Performance (GPM @ Head)				Shut Off		Pwr. Cord (ft.)	Weight (lbs.)	Height	Length	Width
							5'	10'	15'	20'	Feet	PSI					
9EH-CIA-VDS	509331	UL/CSA	4/10	115	3/4"	13.0/1000	71	68	60	49	32	13.8	20	27	9.30	11.64	11.00

Continuous Duty Rated — "Little Giant Wastewater pumps are rated continuous duty as long as they are run within the published ratings for these pumps."



Construction

Motor Housing	Epoxy-coated cast iron
Impeller Material	Polycarbonate
Impeller Type	Closed vane
Volute	ABS
Power Cord	SJTW-A
Mechanical Shaft Seal	Nitrile w/carbon and ceramic faces
Fasteners	Stainless steel
Shaft	Steel
Bearings	Upper sleeve and lower ball bearings