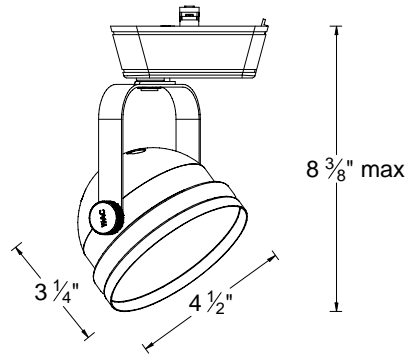


CATALOG NUMBER	TYPE
PROJECT	

LOW VOLTAGE TRACK HEAD

SERIES 901



Ordering Matrix				
Model		Series	Finish	
<input type="text"/>		<input type="text"/>	<input type="text"/>	
HHT	JHT	LHT	901	BK WT

Ordering Example (model – series – finish): HHT-901-WT



Product Details

Description:	Low voltage track head for use with W.A.C. brand H, L, J & J2 series track systems. In addition it may fit other manufacturer's original track (consult factory for specific brands).
Materials:	Metal track head with polycarbonate transformer case and track adaptor. Two wire leads with u-posts for attaching to PAR36 lamp terminal base.
Aiming:	350° horizontal rotation and 90° vertical aiming. The screw and swivel yoke aiming allows precise adjustment to the desired angle.
Lamp & Transformer:	PAR36 lamp. 50w max. Lamp sold separately. Integral electronic transformer for 12 volt PAR36 lamps. 120V input. Dimmable with electronic low voltage dimmers.
Systems:	HHT is used with the W.A.C. H system track (HT). JHT is used with the W.A.C. J system and J2 system track (JT & J2-T). LHT is used with the W.A.C. L system track (LT).
Finish:	Abrasion resistant paint finish. Black (BK) or White (WT).
Listing:	U.L. & C.U.L. listed. 2 year W.A.C. Lighting product warranty.

Specification Features

- "Quick-Ship" item, always in stock and available for immediate shipment.
- Electronic transformer has advanced auto-reset, soft start and short circuit protection features. The soft start delayed lamp start feature extends lamp life by delaying the abrupt inrush current to the lamp.
- Low voltage track head extensions are available if longer than standard drops are required. Add X(*length*) to the front of the ordering code i.e. X24-HHT-901-WT. Ordered as Black or White.

Compatible Accessories

<p>JCLIP Ordered when using track heads on 2nd circuit of J2 style track.</p>  <p>Order as JCLIP</p>	<p>Low Voltage Extension Factory installed. Available in 6", 12", 18", 24", 36", 48", 72", 96" lengths.</p>  <p>Order as X(<i>length</i>)</p>
---	---