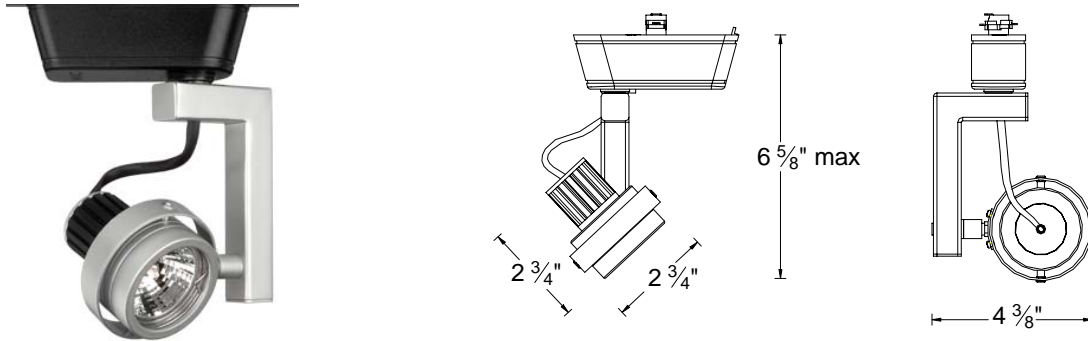


CATALOG NUMBER	TYPE
PROJECT	

LOW VOLTAGE TRACK HEAD

SERIES 815




Ordering Matrix									
Model			Series			Finish			
<input type="text"/>			<input type="text"/>			<input type="text"/>			
HHT	JHT	LHT	815			BK	PT/BK	PT/WT	WT

Ordering Example (*model – series – finish*): HHT-815-PT/BK

Product Details	
Description:	Low voltage track head for use with W.A.C. brand H, L, J & J2 series track systems. In addition it may fit other manufacturer's original track (consult factory for specific brands).
Materials:	Die-cast aluminum track head with polycarbonate transformer case and track adapter. Heat resistant black rubber grip over the rear socket assembly. Bi-pin ceramic socket for MR16 lamp. Clear lens.
Aiming:	350° horizontal rotation and 90° vertical aiming. The "L" style yoke and pivot head allows easy and fine adjustment to the desired angle.
Lamp & Transformer:	MR16 lamp. 50W max. Lamp sold separately. Integral electronic transformer for 12 volt MR16 lamps. 120V input. Dimmable with electronic low voltage dimmers.
Systems:	HHT is used with the W.A.C. H system track (HT). JHT is used with the W.A.C. J system and J2 system track (JT & J2-T). LHT is used with the W.A.C. L system track (LT)
Finish:	Abrasion resistant powder coat paint finish. Black (BK), Platinum track head with Black transformer adapter (PT/BK), Platinum track head with White transformer adapter (PT/WT), or White (WT).
Listing:	U.L. & C.U.L. listed. 2 year W.A.C. Lighting product warranty.

Specification Features
<ul style="list-style-type: none"> • "Quick-Ship" item, always in stock and available for immediate shipment. • The supplied clear glass lens can be replaced with one lens accessory such as a colored dichroic lens, UV filter lens, frosted lens, etc. See catalog or website for full lens accessory selection. • Electronic transformer has advanced auto-reset, soft start and short circuit protection features. The soft start delayed lamp start feature extends lamp life by delaying the abrupt inrush current to the lamp.

Compatible Accessories
<p>JCLIP Ordered when using track heads on 2nd circuit of J2 style track.</p> 
Order as JCLIP