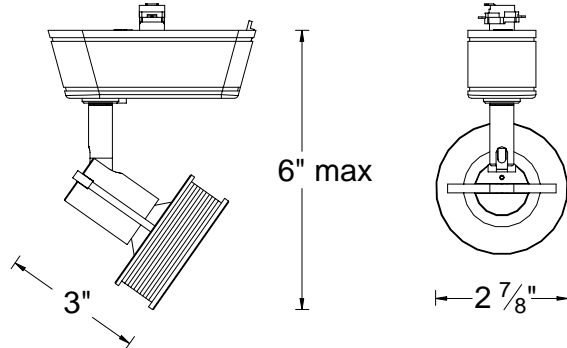


CATALOG NUMBER	TYPE
PROJECT	

LOW VOLTAGE TRACK HEAD

SERIES 813





Ordering Matrix							
Model			Series		Finish		
<input type="text"/>			<input type="text"/>		<input type="text"/>		
HHT	JHT	LHT	813	813L	BK	WT	

Ordering Example (model – series – finish) : HHT-813L-WT

Product Details	
Description:	Premier series low voltage track head for use with W.A.C. brand H, L, J & J2 series track systems. In addition it may fit other manufacturer's original track (consult factory for specific brands).
Materials:	Die-cast aluminum track head with polycarbonate transformer case and track adapter. Heat resistant black rubber grip. Bi-pin ceramic socket for MR16 lamp. Clear lens.
Aiming:	350° horizontal rotation and 90° vertical aiming. The ball and hub style aiming allows easy and fine adjustment to the desired angle.
Lamp & Transformer:	MR16 lamp. 50w max. for the 813 and 75w max. for the 813L. Lamp sold separately. Integral electronic transformer for 12 volt MR16 lamps. 120V input. Dimmable with electronic low voltage dimmers.
Systems:	HHT is used with the W.A.C. H system track (HT). JHT is used with the W.A.C. J system and J2 system track (JT & J2-T). LHT is used with the W.A.C. L system track (LT).
Finish:	Abrasion resistant powder coat paint finish. Black (BK) or White (WT).
Listing:	U.L. & C.U.L. listed. 2 year W.A.C. Lighting product warranty.

Specification Features
<ul style="list-style-type: none"> “Quick-Ship” item, always in stock and available for immediate shipment. The supplied clear glass lens can be replaced with one lens accessory such as a colored dichroic lens, UV filter lens, frosted lens, etc. See catalog or website for full lens accessory selection. Low voltage track head extensions are available if longer than standard drops are required. Add X(<i>length</i>) to the front of the ordering code i.e. X24-HHT-813-WT. Ordered as Black, or White.

Compatible Accessories	
JCLIP Ordered when using track heads on 2 nd circuit of J2 style track.  Order as JCLIP	Low Voltage Extensions Factory installed. Available in 6", 12", 18", 24", 36", 48", 72", 96" lengths.  Order as X(<i>length</i>)