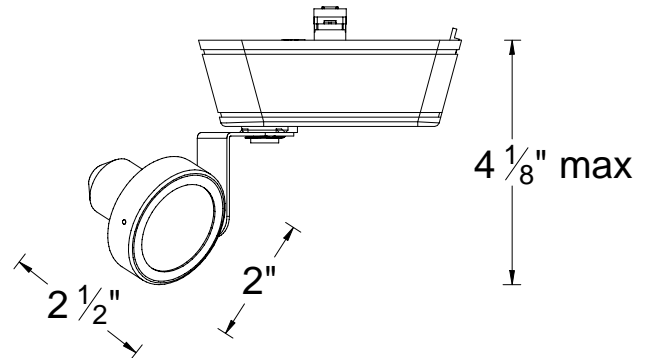


CATALOG NUMBER	TYPE
PROJECT	

LOW VOLTAGE TRACK HEAD

SERIES 160





Ordering Matrix			Series		Finish	
Model			Series		Finish	
[]			[]		[]	
HHT	JHT	LHT	160	160L	BK	WT

Ordering Example (model – series – finish): HHT-160-WT

Product Details	
Description:	Premier series low voltage track head for use with W.A.C. brand H, L, J & J2 series track systems. In addition it may fit other manufacturer's original track (consult factory for specific brands).
Materials:	Metal track head with polycarbonate transformer case and track adapter. Bi-pin ceramic socket for MR16 lamp. Clear lens.
Aiming:	350° horizontal rotation and 90° vertical aiming. The aiming screw allows the vertical aiming to be locked in place.
Lamp & Transformer:	MR16 lamp. 50w max. for the 160 and 75w max. for the 160L. Lamp sold separately. Integral electronic transformer for 12 volt MR16 lamps. 120V input.
Systems:	HHT is used with the W.A.C. H system track (HT). JHT is used with the W.A.C. J system and J2 system track (JT & J2-T). LHT is used with the W.A.C. L system track (LT).
Finish:	Abrasion resistant powder coat paint finish. Black (BK) or White (WT).
Listing:	U.L. & C.U.L. listed. 2 year W.A.C. Lighting product warranty.

Specification Features
<ul style="list-style-type: none"> • "Quick-Ship" item, always in stock and available for immediate shipment. • The supplied clear glass lens can be replaced with one lens accessory such as a colored dichroic lens, UV filter lens, frosted lens, etc. See catalog or website for full lens accessory selection. • Low voltage track head extensions are available if longer than standard drops are required. Add X(<i>length</i>) to the front of the ordering code i.e. X24-HHT-160-WT. Ordered as Black or White.

Compatible Accessories	
JCLIP Ordered when using track heads on 2 nd circuit of J2 style track.  Order as JCLIP	Low Voltage Extensions Factory installed. Available in 6", 12", 18", 24", 36", 48", 72", 96" lengths.  Order as X(<i>length</i>)