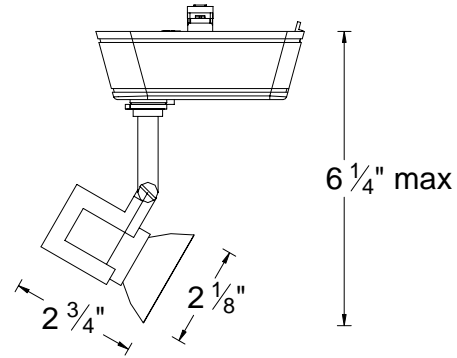


<b>CATALOG NUMBER</b>	<b>TYPE</b>
<b>PROJECT</b>	

**LOW VOLTAGE TRACK HEAD**

**SERIES 1156**



**Ordering Matrix**

Model			Series	Finish			
[ ]			[ ]	[ ]			
HHT	JHT	LHT	1156	BK	BN/BK	BN/WT	WT

Ordering Example (model – series – finish): HHT-1156-BN/BK

**Product Details**

**Description:** Premier series low voltage track head for use with W.A.C. brand H, L, J & J2 series track systems. In addition it may fit other manufacturer's original track (consult factory for specific brands).

**Materials:** Die-cast aluminum track head with polycarbonate transformer case and track adapter. Bi-pin ceramic socket for MR11 lamp.

**Aiming:** 350° horizontal rotation and 90° vertical aiming. The screw and swivel yoke aiming allows precise adjustment to the desired angle.

**Lamp & Transformer:** MR11G lamp, 35W max. Lamp sold separately. Integral electronic transformer for 12 volt MR11 lamps. 120V input. Dimmable with electronic low voltage dimmers.

**Systems:** HHT is used with the W.A.C. H system track (HT). JHT is used with the W.A.C. J system and J2 system track (JT & J2-T). LHT is used with the W.A.C. L system track (LT).

**Finish:** Abrasion resistant powder coat paint finish. Black (BK), Brushed Nickel track head with Black transformer adapter (BN/BK), Brushed Nickel track head with White transformer adapter (BN/WT), or White (WT).

**Listing:** U.L. & C.U.L. listed. 2 year W.A.C. Lighting product warranty.

**Specification Features**

- "Quick-Ship" item, always in stock and available for immediate shipment.
- Can use one lens accessory such as a colored dichroic lens, UV filter lens, frosted lens, etc. Order lens accessory and LENS-11-CLIP. See catalog or website for full lens accessory selection.
- Low voltage track head extensions are available if longer than standard drops are required. Add X(*length*) to the front of the ordering code i.e. X24-HHT-1156-BN. Ordered as Black, White, or Brushed Nickel.

**Compatible Accessories**

JCLIP  
 Ordered when using track heads on 2<sup>nd</sup> circuit of J2 style track.



Order as JCLIP

Lens Clip  
 Used to attach accessory lens to MR11 lamp.



Order as LENS-11-CLIP

Low Voltage Extension  
 Factory installed. Available in 6", 12", 18", 24", 36", 48", 72", 96" lengths.



Order as X(*length*)