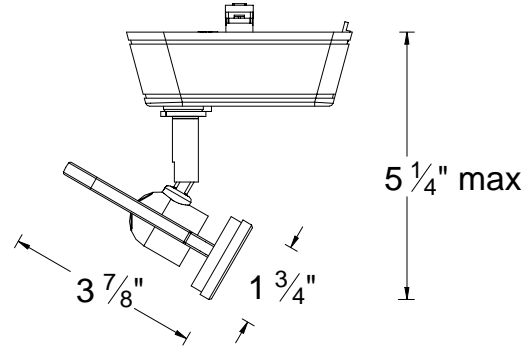


CATALOG NUMBER	TYPE
PROJECT	

LOW VOLTAGE TRACK HEAD

SERIES 1126





Ordering Matrix							
Model			Series		Finish		
[]			[]		[]		
HHT	JHT	LHT	1126		BK	BN/BK	BN/WT WT

Ordering Example (model – series – finish): HHT-1126-BK

Product Details	
Description:	Premier series low voltage track head for use with W.A.C. brand H, L, J & J2 series track systems. In addition it may fit other manufacturer's original track (consult factory for specific brands).
Materials:	Die-cast aluminum track head with polycarbonate transformer case and track adapter. Bi-pin ceramic socket for MR11 lamp. Clear lens.
Aiming:	350° horizontal rotation and 90° vertical aiming. The ball and hub style aiming allows easy and fine adjustment to the desired angle.
Lamp & Transformer:	MR11 lamps. 35W max. Lamps sold separately. Integral electronic transformer for 12 volt MR11 lamps. 120V input.
Systems:	HHT is used with the W.A.C. H system track (HT). JHT is used with the W.A.C. J system and J2 system track (JT & J2-T). LHT is used with the W.A.C. L system track (LT).
Finish:	Abrasion resistant powder coat paint finish. Black (BK), Brushed Nickel track head with Black transformer adapter (BN/BK), Brushed Nickel track head with White transformer adapter (BN/WT), or White (WT).
Listing:	U.L. & C.U.L. listed. 2 year W.A.C. Lighting product warranty.

Specification Features
<ul style="list-style-type: none"> • "Quick-Ship" item, always in stock and available for immediate shipment. • The supplied clear glass lens can be replaced with one lens accessory such as a colored dichroic lens, UV filter lens, frosted lens, etc. See catalog or website for full lens accessory selection. • Low voltage track head extensions are available if longer than standard drops are required. Add X(<i>length</i>) to the front of the ordering code i.e. X24-HHT-1126-BK. Ordered as Black, White, or Brushed Nickel.

Compatible Accessories	
<p>JCLIP Ordered when using track heads on 2nd circuit of J2 style track.</p>  <p>Order as JCLIP</p>	<p>Low Voltage Extensions Factory installed. Available in 6", 12", 18", 24", 36", 48", 72", 96" lengths.</p>  <p>Order as X(<i>length</i>)</p>