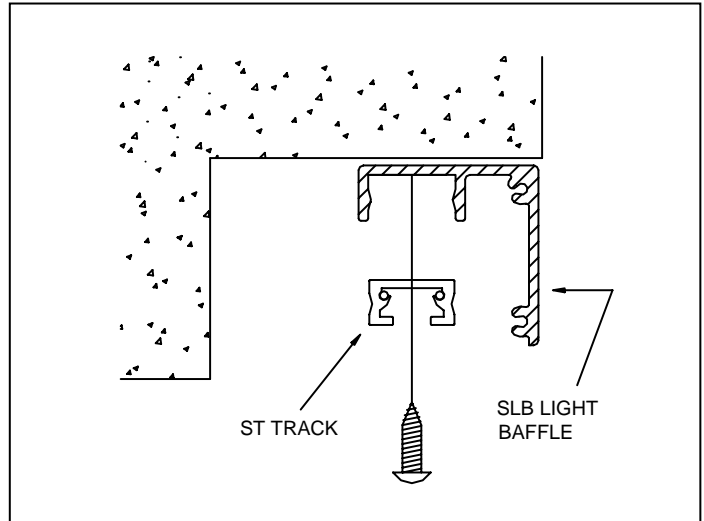
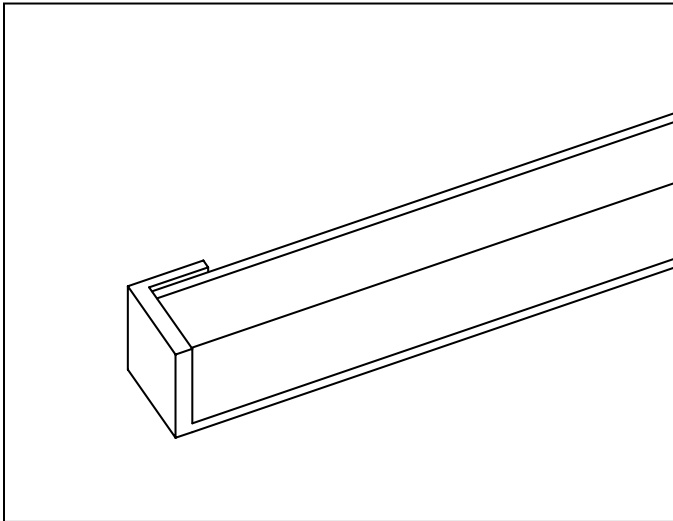


LIGHT BAFFLE



MODEL	FINISH	DIMENSIONS	
		HEIGHT	WIDTH
SLB-WT-4	WHITE	1 15/16"	1 15/16"
SLB-GL-4	GOLD	1 15/16"	1 15/16"
SLB-WT-8	WHITE	1 15/16"	1 15/16"
SLB-GL-8	GOLD	1 15/16"	1 15/16"

90° ALUMINUM CHANEL SHIELDS THE TRACK FOR A HIDDEN LIGHT SOURCE UNDER CABINETS. INSTALLS BETWEEN THE TRACK AND CABINET SURFACE.

- INSTRUCTIONS AND MOUNTING HARDWARE INCLUDED
- FIELD CUTTABLE
- CAN BE PAINTED IN THE FIELD TO MATCH COLORS.

NOTE: SLB BAFFLES ARE ONLY COMPATIBLE WITH W.A.C LINEAR TRACKS.