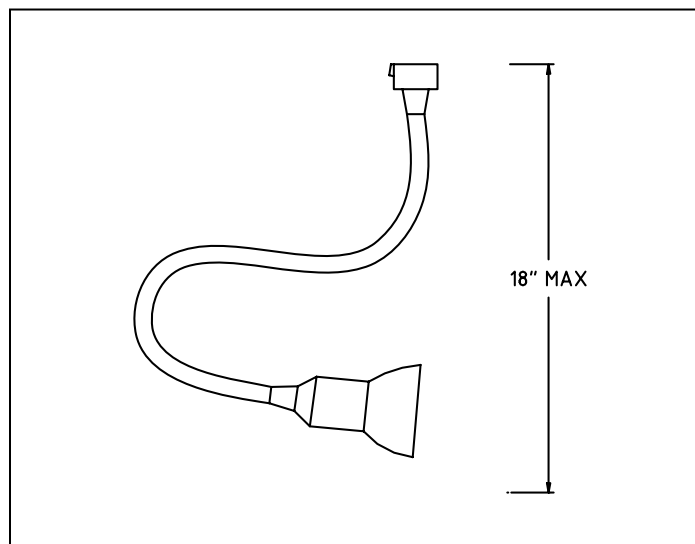
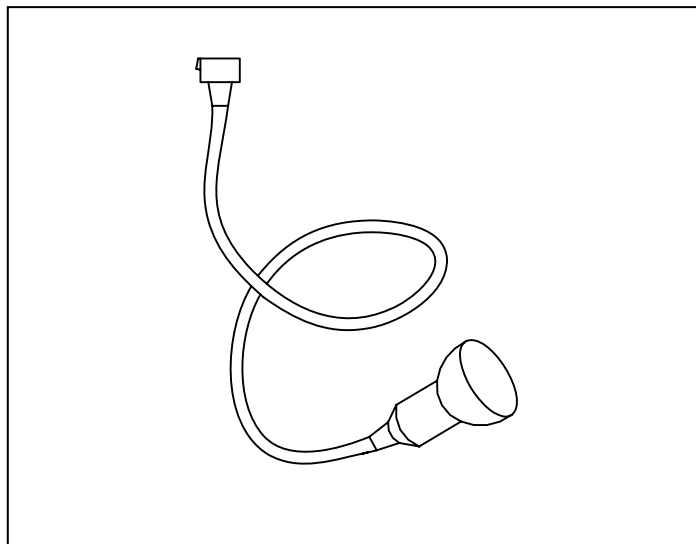


MODEL NO. : SF-214



SOCKET : CERAMIC BI-PIN

AIMING : MULTI DIRECTIONAL

MATERIAL : POWDER COATED STEEL

ACCESSORIES : COLOR LENSES, UV LENS, SPREAD LENS, BEAM ELONGATING LENS,
USED IN CONJUNCTION WITH LENS-16-CLIP.
SOLID BULB SHIELD, MESH BULB SHIELD

LISTING : UL, C-UL LISTED, AND NEW YORK CITY APPROVED

MODEL	FINISH	WATTAGE	
		MR-11	MR-16
SF-214-BK	BLACK	35 WATT MAX*	50 WATT MAX*
SF-214-WT	WHITE	35 WATT MAX*	50 WATT MAX*
SF-214-BN/BK	BRUSHED NICKEL/BK ADAPTER	35 WATT MAX*	50 WATT MAX*
SF-214-BN/WT	BRUSHED NICKEL/WT ADAPTER	35 WATT MAX*	50 WATT MAX*

*REQUIRES SHIELDED BULBS.

LINEAR SYSTEM FIXTURES ARE ONLY COMPATIBLE WITH W.A.C. (ST) STYLE TRACK.