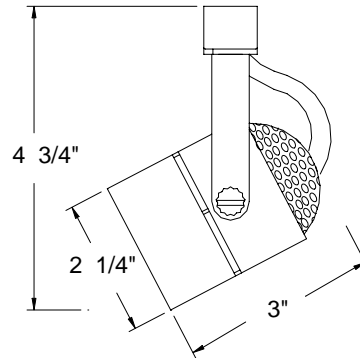


CATALOG NUMBER	TYPE
PROJECT	

LINEAR SYSTEM – HALOGEN TRACK FIXTURE




MODEL SF-212



Ordering Matrix				
Model	Series	Finish		Accessories
<input type="text"/>	<input type="text"/>	<input type="text"/>		
SF	212	BK	WT	See table below

Ordering Example (*model – series – finish + optional accessory*): SF-212-BK

Product Details	Specification Features
<p>Description: Low voltage track head utilizing precise MR16 lamps. Specifically designed small sized fixture for use with the W.A.C. Linear System.</p> <p>Materials: Die-cast aluminum track head with polycarbonate track adaptor. Bi-pin ceramic socket with 18 gauge Teflon insulated wires and fiberglass sleeves. Clear glass lens. Spring tension ring to retain lens.</p> <p>Aiming: 350° horizontal rotation and 90° vertical aiming. Yoke style aiming allows easy and fine adjustment to the desired angle. The aiming screw may be tightened to firmly hold vertical aiming angle.</p> <p>Lamping: MR16 lamp, 50w max. The SF-212 is suitable for 12v or 24v lamps. Lamps sold separately.</p> <p>Finish: Abrasion resistant Black (BK) or White (WT) paint finish.</p> <p>Listing: UL & CUL Listed. 2 year W.A.C. Lighting product warranty.</p>	<ul style="list-style-type: none"> The supplied clear glass lens can be replaced with one lens accessory such as a colored dichroic lens, UV filter lens, etc. Can use 12 volt or 24 volt lamps, dependant on Linear System transformer. Transformer and Linear System track is ordered separately.

Accessory Lenses (ordered separately):	
LENS-16-UVF UV Filter Lens 	LENS-16-COLOR Colored Lenses AMB=Amber BLU=Blue GRN=Green RED=Red YEL=Yellow 
LENS-16-DIC-COLOR Dichroic Lenses AMB=Amber BLU=Blue GRN=Green RED=Red YEL=Yellow 	LENS-16-FR Frosted Glass Lens 