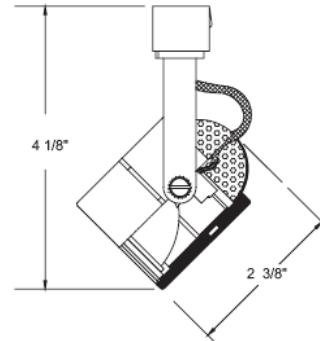
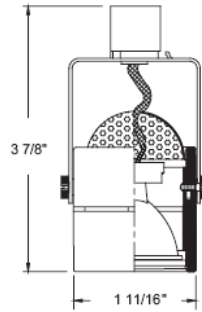


CATALOG NUMBER	TYPE
PROJECT	

LINEAR SYSTEM – HALOGEN TRACK FIXTURE

MODEL SF-202





Ordering Matrix				
Model	Series	Finish		Accessories
<input type="text"/>	<input type="text"/>	<input type="text"/>	<input type="text"/>	
SF	202	BK	WT	See table below

Ordering Example (model – series – finish + optional accessory): SF-202-WT

Product Details	
Description:	Low voltage track head utilizing precise MR11 lamps. Specifically designed small sized fixture for use with the W.A.C. Linear System.
Materials:	Die-cast aluminum track head with polycarbonate track adaptor. Bi-pin ceramic socket with 18 gauge Teflon insulated wires and fiberglass sleeves. Clear glass lens. Spring tension ring to retain lens.
Aiming:	350° horizontal rotation and 90° vertical aiming. Yoke style aiming allows easy and fine adjustment to the desired angle. The two aiming screws may be tightened to firmly hold vertical aiming angle.
Lamping:	MR11 lamp, 35w max. The SF-202 is suitable for 12v or 24v lamps. Lamps sold separately.
Finish:	Abrasion resistant Black (BK) or White (WT) paint finish.
Listing:	UL & CUL Listed. 2 year W.A.C. Lighting product warranty.

Specification Features
<ul style="list-style-type: none"> The supplied clear glass lens can be replaced with one lens accessory such as a colored dichroic lens, UV filter lens, etc. Can use 12 volt or 24 volt lamps, dependant on Linear System transformer. Transformer and Linear System track is ordered separately.

Accessory Lenses (ordered separately):		
LENS-11-UVF UV Filter Lens 	LENS-11-COLOR Colored Lenses AMB = Amber BLU = Blue GRN = Green RED = Red YEL = Yellow 	LENS-11-DIC-COLOR Dichroic Lenses AMB = Amber BLU = Blue GRN = Green RED = Red YEL = Yellow 