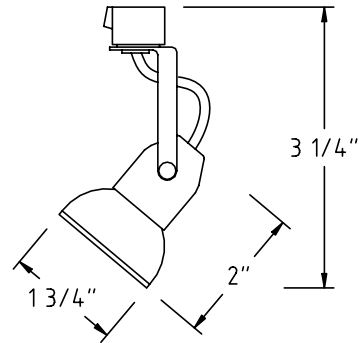


CATALOG NUMBER	TYPE
PROJECT	

LINEAR SYSTEM XENON FIXTURE

MODEL SBH-106



Ordering Matrix

Model	Series	Finish
<input type="text"/>	<input type="text"/>	<input type="text"/>
SBH	106	BK WT

Ordering Example (model – series – finish): SBH-106-WT



Product Details

Description:	Linear System xenon fixture with round metal reflector to place the light output exactly where it is needed.
Materials:	Steel yoke and fixture. Polycarbonate track adapter, ceramic lamp holder with nickel plated contacts and 18 gauge teflon insulated wires inside fiberglass sleeves.
Transformer:	Compatible with all Linear System transformers. Transformers are ordered separately.
Lamping:	Uses a bi-pin based xenon lamp, ordered separately. For 12 volt systems, can use a 15w or 20w lamp. For 24 volt systems, can use a 15w or 20w lamp.
Finish:	Abrasion resistant paint finish. Available in Black (BK), White (WT).
Listing:	UL & CUL Listed. 2 year W.A.C. Lighting product warranty.

Specification Features

- 350° horizontal rotation and 90° vertical aiming. Single aiming screw for locking fixture aiming angle.
- Transformer should be ordered as part of the Linear System. Determine the total system track length, number of fixtures required for the application, then total the wattage and choose your voltage and transformer. The SBH-101 is compatible with all Linear System transformers.

Xenon Lamps (ordered separately):

<p><u>12 volt clear lamps:</u> BP-15-12V-CL BP-20-12V-CL</p>		<p><u>12 volt frosted lamps:</u> BP-15-12V-FR BP-20-12V-FR</p>	
<p><u>24 volt clear lamps:</u> BP-15-24V-CL BP-20-24V-CL</p>		<p><u>24 volt frosted lamps:</u> BP-15-24V-FR BP-20-24V-FR</p>	