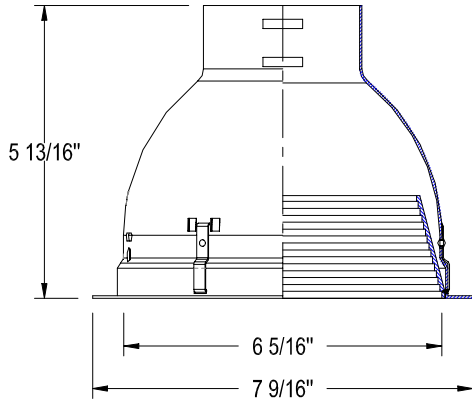


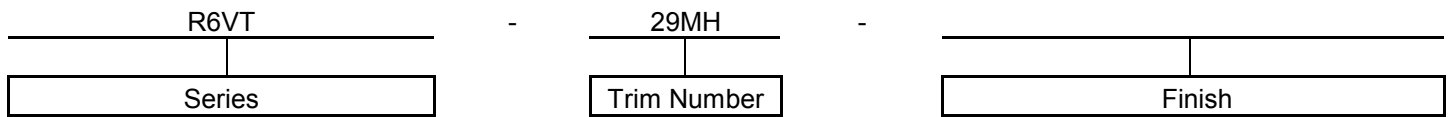
STEP BAFFLE

MODEL R6VT-29MH



Recessed 6" Vertical Trim

Ordering information



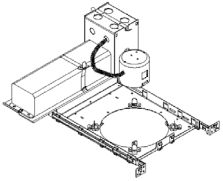
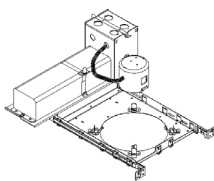
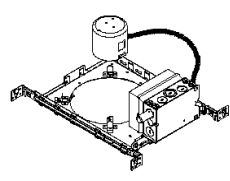
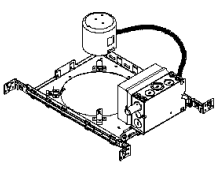
R6VT

Recessed 6 inch Vertical Trim

WT- White

BK - Black

Compatible Housings (sold separately)

<p>R6VM-P38E17-M70* Non IC New Construction Metal Halide Lamps: PAR38 MH 70W ED17P MH 70W</p>		<p>R6VM-P38E17-M100* Non IC New Construction Metal Halide Lamps: PAR38 MH 100W ED17P MH 100W</p>		<p>R6VM-P38E17-E70* Non IC New Construction Metal Halide Lamps: PAR38 MH 70W ED17P MH 70W</p>	
<p>R6VM-P38E17-E100* Non IC New Construction Metal Halide Lamps: PAR38 MH 100W ED17P MH 100W</p>					

*Also available in 277V model, specify "F" as suffix (ie: R6VM-P38E17-M100F)

Product Features

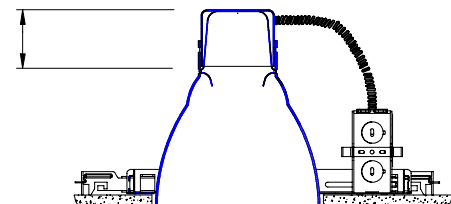
Application: Ceiling down light trim, 1-inch maximum ceiling thickness. Provides smooth broad area illumination without shadows. Aluminum baffle reduces visual glare. Used with metal halide lamp housings.

Material: One-piece spun aluminum construction. Integral trim ring is painted white, interior step baffle is painted aluminum, matt finish. Trim is retained to socket via spring clips.

Listing

UL & CUL listed. Suitable for damp locations

W.A.C. reserves the right to change details that do not affect overall function and performance.



Socket cup adds a maximum of 2 1/8" to the height of the trim when used with frame in kits.

