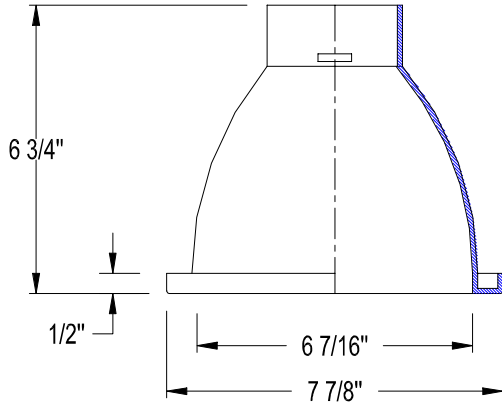


**SPECULAR REFLECTOR W/ SHOULDER**

**MODEL R6VT-24**



**Recessed 6" Vertical Trim**

**Ordering information**

R6VT	-	24	-	
Series		Trim Number		Finish

**R6VT**

Recessed 6 inch Vertical Trim

SG-Specular Gold

SC-Specular Clear

**Compatible Housings (sold separately)**

<p><b>R6VI-B-ICA</b> Insulation Contact &amp; Air Tight New Construction Incandescent Lamp: A19 100W PAR38 90W</p>		<p><b>R6VF-113Q*</b> Non IC Frame-in Style New Construction Fluorescent Lamp: Quad 13W G24Q-1</p>		<p><b>R6VI-ICA</b> Insulation Contact &amp; Air Tight New Construction Incandescent Lamp: A19 100W PAR38 90W</p>	
<p><b>R6VF126/32T*</b> Non IC Frame-in Style New Construction Fluorescent Lamp: Tri-Tube 26/32W GX24Q-3</p>		<p><b>R6VI</b> Non IC Frame-in Style New Construction Incandescent Lamp: PAR38 150W</p>		<p><b>R6VI-R-ICA</b> Insulation Contact &amp; Air Tight Remodeling Incandescent Lamp: A19 100W PAR38 90W</p>	

**Product Features**

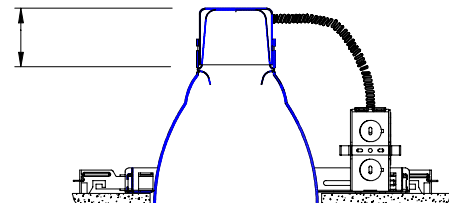
**Application:** Ceiling down light trim, 1-inch maximum ceiling thickness. Provides smooth broad area illumination without shadows. Used with incandescent or fluorescent lamp housings.

**Material:** One-piece spun aluminum construction. Interior reflector and integral trim ring are anodized aluminum. Trim is retained to socket via spring clips.

**Listing**

UL & CUL listed. Suitable for damp locations.

W.A.C. reserves the right to change details that do not affect overall function and performance.



Socket cup adds a maximum of 2 1/8" to the height of the trim when used with frame in kits.

