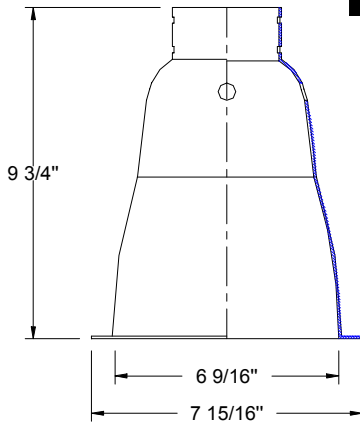


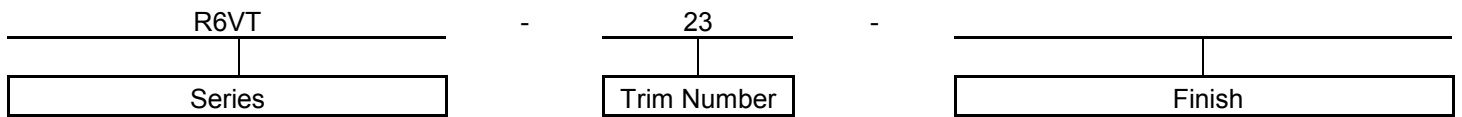
DEEP SPECULAR REFLECTOR

MODEL R6VT-23



Recessed 6" Vertical Trim

Ordering information



R6VT

Recessed 6 inch Vertical Trim

SG-Specular Gold

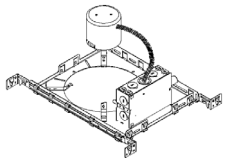
SC-Specular Clear

Compatible Housing (sold separately)

R6VI

Non IC Frame-in Style
New Construction
Incandescent

Lamp: PAR38 250W max
A21 150W



Product Features

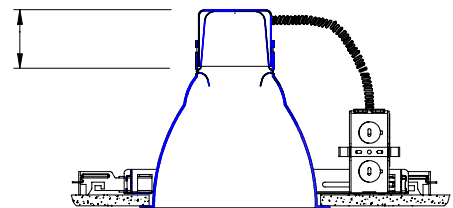
Application: Ceiling down light trim, 1-inch maximum ceiling thickness. Provides smooth broad area illumination without shadows. Used with incandescent or fluorescent lamp housings.

Material: One-piece spun aluminum construction. Integral trim ring is painted white, interior reflector is anodized aluminum. Trim is retained to socket via spring clips.

Listing

UL & CUL listed. Suitable for damp locations.

W.A.C. reserves the right to change details that do not affect overall function and performance.



Socket cup adds a maximum of 2 1/8" to the height of the trim when used with frame in kits.

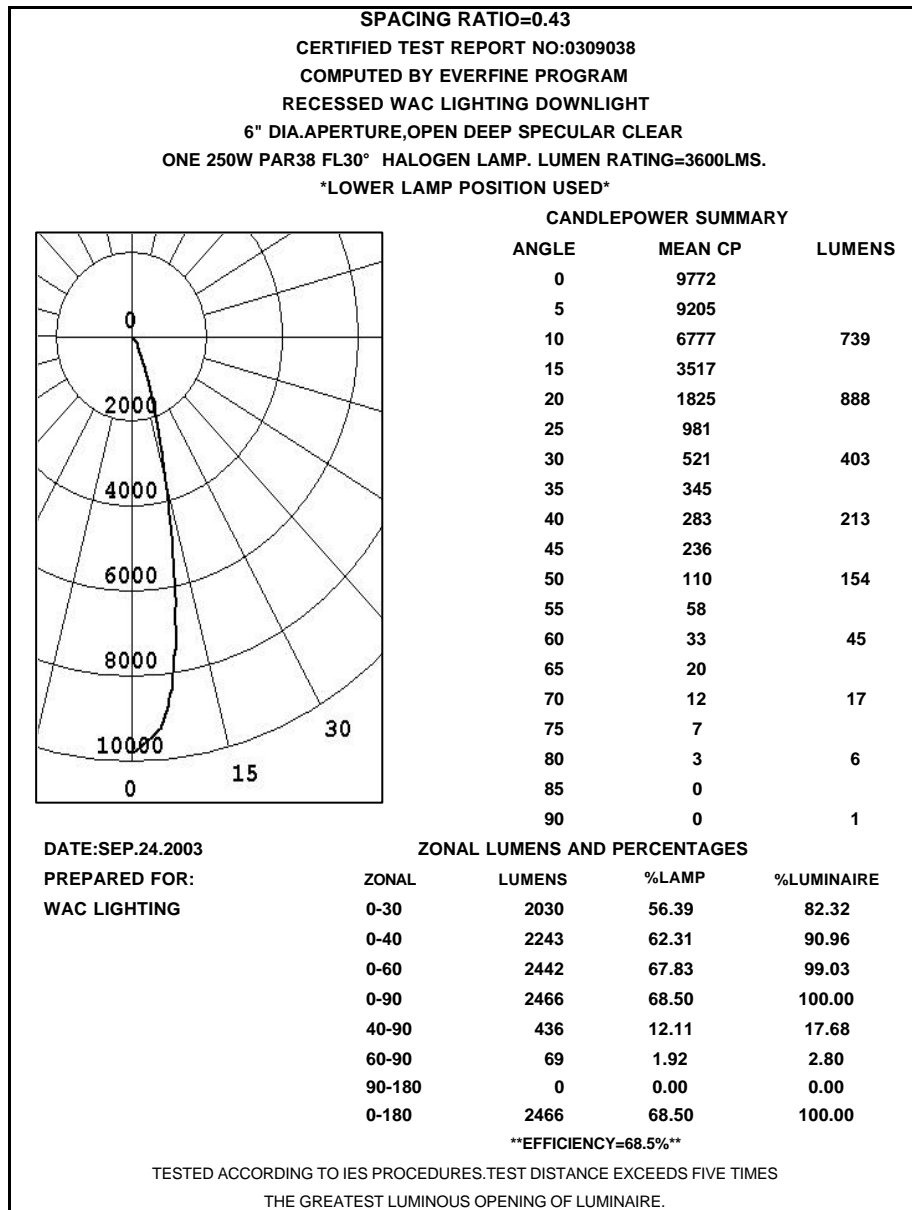


R6VT-23

WAC Lighting
Recessed
Downlight

6" Aperture
Open Deep Specular
Reflector Trim

Type:



Pcc	80%			70%			50%			30%			10%			0
Pw	50%	30%	10%	50%	30%	10%	50%	30%	10%	50%	30%	10%	50%	30%	10%	0
Pfc	20%			20%			20%			20%			20%			0
RCR	Coefficients of Utilization															
0	.82	.82	.82	.80	.80	.80	.76	.76	.76	.73	.73	.73	.70	.70	.70	.69
1	.77	.75	.74	.75	.74	.73	.72	.71	.71	.70	.69	.69	.68	.67	.67	.65
2	.72	.70	.69	.71	.69	.68	.69	.67	.66	.67	.66	.65	.65	.64	.63	.62
3	.68	.66	.64	.68	.65	.64	.66	.64	.63	.64	.62	.62	.63	.61	.61	.59
4	.65	.62	.61	.64	.61	.60	.63	.60	.59	.62	.59	.59	.60	.59	.58	.56
5	.62	.59	.57	.61	.58	.57	.60	.58	.57	.59	.57	.56	.58	.56	.55	.54
6	.59	.56	.55	.59	.56	.54	.58	.55	.54	.57	.55	.54	.56	.54	.53	.52
7	.57	.54	.52	.57	.53	.52	.56	.53	.52	.55	.52	.51	.54	.52	.51	.50
8	.55	.51	.50	.54	.51	.50	.54	.51	.50	.53	.51	.50	.52	.50	.49	.48
9	.53	.50	.48	.52	.49	.48	.52	.49	.48	.51	.49	.48	.51	.49	.48	.46
10	.51	.48	.47	.51	.48	.47	.50	.47	.46	.50	.47	.46	.49	.47	.46	.45