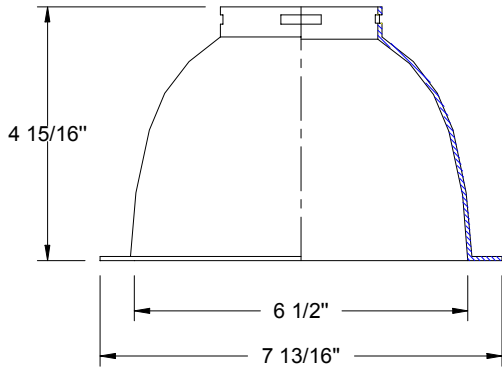


SPECULAR REFLECTOR

MODEL R6VT-22



Recessed 6" Vertical Trim

Ordering Information

R6VT	-	22	-	
Series		Trim Number		Finish

R6VT

Recessed 6 inch Vertical Trim

SG-Specular Gold
SC-Specular Clear

Compatible Housings (sold separately)

<p>R6VI-B-ICA Insulation Contact & Air Tight New Construction Incandescent Lamp: A19 100W</p>		<p>R6VF-113Q* Non IC Frame-in Style New Construction Fluorescent Lamp: Quad 13W Q24Q-1</p>		<p>R6VI-ICA Insulation Contact & Air Tight New Construction Incandescent Lamp: A19 75W PAR30 75W</p>	
<p>R6VF126/32T* Non IC Frame-in Style New Construction Fluorescent Lamp: Tri-Tube 26/32W QX24Q-3</p>		<p>R6VI Non IC Frame-in Style New Construction Incandescent Lamp: A19 100W</p>		<p>R6VI-R-ICA Insulation Contact & Air Tight Remodeling Incandescent Lamp: A19 75W PAR30 75W</p>	

*Housing available in emergency version. Specify "EM" as suffix.

Product Features

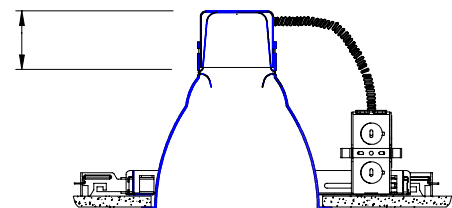
Application: Ceiling down light trim, 1-inch maximum ceiling thickness. Provides smooth broad area illumination without shadows. Used with incandescent or fluorescent lamp housings.

Material: One-piece spun aluminum construction. Integral trim ring is painted white, interior reflector is anodized aluminum. Trim is retained to socket via spring clips.

Listing

UL & CUL listed. Suitable for damp locations.

W.A.C. reserves the right to change details that do not affect overall function and performance.



Socket cup adds a maximum of 2 1/8" to the height of the trim when used with frame in kits.



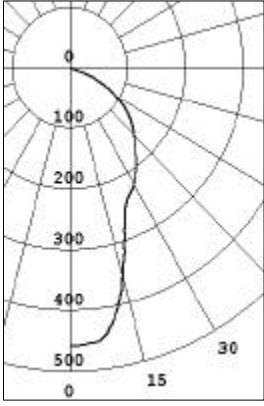
R6VT-22

WAC Lighting Recessed Downlighting

6" Aperture Open Shallow Specular Clear Reflector Trim

Type:

SPACING RATIO=0.74
CERTIFIED TEST REPORT NO:0309035
COMPUTED BY EVERFINE PROGRAM
RECESSED WAC LIGHTING DOWNLIGHT
6" DIA.APERTURE, OPEN SHALLOW SPECULAR CLEAR
ONE 13W PL-C 4PIN FLUORESCENT LAMP. LUMEN RATING=900LMS.
LOWER LAMP POSITION USED



CANDLEPOWER SUMMARY		
ANGLE	MEAN CP	LUMENS
0	458	
5	455	
10	425	40
15	355	
20	279	83
25	237	
30	221	99
35	201	
40	178	114
45	157	
50	139	110
55	118	
60	92	91
65	64	
70	36	51
75	3	
80	0	6
85	0	
90	0	0

ZONAL LUMENS AND PERCENTAGES

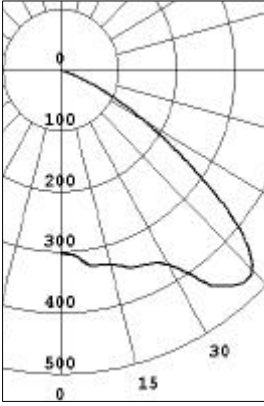
ZONAL	LUMENS	%LAMP	%LUMINAIRE
0-30	222	24.67	37.37
0-40	336	37.33	56.57
0-60	537	59.67	90.40
0-90	594	66.00	100.00
40-90	372	41.33	62.63
60-90	148	16.44	24.92
90-180	0	0.00	0.00
0-180	594	66.00	100.00

EFFICIENCY=66.0%

DATE:SEP.24.2003
PREPARED FOR:
WAC LIGHTING

TESTED ACCORDING TO IES PROCEDURES.TEST DISTANCE EXCEEDS FIVE TIMES
THE GREATEST LUMINOUS OPENING OF LUMINAIRE.

SPACING RATIO=1.85
CERTIFIED TEST REPORT NO:0309034
COMPUTED BY EVERFINE PROGRAM
RECESSED WAC LIGHTING DOWNLIGHT
6" DIA.APERTURE, OPEN SHALLOW SPECULAR CLEAR
ONE 100W A19 FROSTED LAMP. LUMEN RATING=1750LMS.
LOWER LAMP POSITION USED



CANDLEPOWER SUMMARY		
ANGLE	MEAN CP	LUMENS
0	302	
5	308	
10	327	32
15	331	
20	346	69
25	353	
30	370	166
35	425	
40	462	275
45	464	
50	392	348
55	275	
60	166	224
65	85	
70	20	71
75	1	
80	0	2
85	0	
90	0	0

ZONAL LUMENS AND PERCENTAGES

ZONAL	LUMENS	%LAMP	%LUMINAIRE
0-30	267	15.26	22.49
0-40	542	30.97	45.66
0-60	1114	63.66	93.85
0-90	1187	67.83	100.00
40-90	920	52.57	77.51
60-90	297	16.97	25.02
90-180	0	0.00	0.00
0-180	1187	67.83	100.00

EFFICIENCY=67.83%

DATE:SEP.24.2003
PREPARED FOR:
WAC LIGHTING

TESTED ACCORDING TO IES PROCEDURES.TEST DISTANCE EXCEEDS FIVE TIMES
THE GREATEST LUMINOUS OPENING OF LUMINAIRE.

Pcc	80%	70%	50%	30%	10%	0							
Pw	50% 30% 10%	50% 30% 10%	50% 30% 10%	50% 30% 10%	50% 30% 10%	0							
Pfc	20%	20%	20%	20%	20%	0							
RCR	Coefficients of Utilization												
0	.79	.79	.77	.73	.73	.73	.70	.70	.70	.67	.67	.67	.66
1	.71	.69	.69	.67	.65	.64	.64	.63	.62	.62	.61	.60	.59
2	.63	.60	.58	.62	.59	.57	.60	.57	.56	.58	.55	.54	.51
3	.57	.52	.50	.56	.51	.50	.54	.50	.49	.52	.49	.48	.44
4	.51	.46	.44	.50	.45	.44	.49	.45	.43	.47	.44	.42	.39
5	.46	.41	.39	.45	.41	.39	.44	.40	.38	.43	.39	.38	.35
6	.42	.37	.35	.41	.36	.35	.40	.36	.34	.39	.35	.34	.31
7	.39	.33	.31	.38	.33	.31	.37	.33	.31	.36	.32	.31	.28
8	.35	.30	.28	.35	.30	.28	.34	.30	.28	.33	.29	.28	.25
9	.33	.28	.26	.32	.28	.26	.32	.27	.26	.31	.27	.26	.23
10	.31	.26	.24	.30	.26	.24	.30	.25	.24	.26	.25	.24	.21

Pcc	80%	70%	50%	30%	10%	0							
Pw	50% 30% 10%	50% 30% 10%	50% 30% 10%	50% 30% 10%	50% 30% 10%	0							
Pfc	20%	20%	20%	20%	20%	0							
RCR	Coefficients of Utilization												
0	.83	.83	.83	.81	.81	.81	.77	.77	.77	.74	.74	.74	.71
1	.74	.72	.71	.73	.70	.69	.70	.68	.67	.67	.66	.65	.65
2	.66	.62	.60	.65	.61	.59	.62	.59	.68	.60	.57	.56	.58
3	.58	.53	.51	.57	.53	.51	.55	.51	.49	.53	.50	.48	.52
4	.52	.46	.44	.51	.46	.43	.49	.45	.43	.48	.44	.42	.46
5	.46	.40	.38	.45	.40	.38	.44	.39	.37	.43	.38	.36	.41
6	.41	.35	.33	.41	.35	.33	.39	.34	.32	.38	.34	.32	.37
7	.37	.31	.29	.37	.31	.29	.35	.30	.28	.34	.30	.28	.34
8	.34	.28	.26	.33	.28	.25	.32	.27	.25	.31	.27	.25	.30
9	.31	.25	.23	.30	.25	.23	.29	.24	.22	.29	.24	.22	.28
10	.28	.22	.20	.28	.22	.20	.27	.22	.20	.26	.22	.20	.26