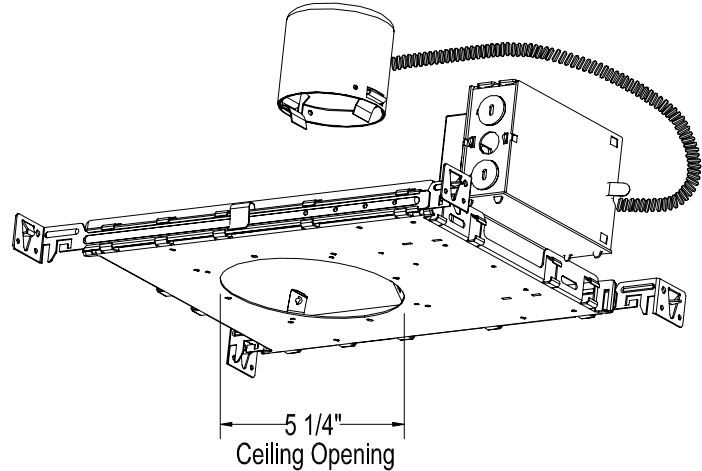


MODEL R5VF-126/32T



Ordering information

| | | |
|--------|---|---------|
| R5VF | - | 126/32T |
| Series | | Lamp |

R5VF

Recessed 5 inch
Vertical
Fluorescent

113Q – Single 13W Quad Lamp

126/32T – Single 26W or 32W Tri-Tube Lamp

Product Features

Application: New construction housing frame in kit. Requires 3" minimum clearance from insulation. Maximum 1 inch ceiling thickness.

J Box: Junction box is accessible from above or below the ceiling. Supplied with eight standard knockouts and four integral Romex® clamps. Spring loaded door, for easy access to wiring. Approved for through branch wiring

Mounting: Supplied with hanger bars adjustable to 25". Bars have score lines and can be cut to accommodate 12" joist spans. Bars have notches for easy installation on T-bars. Hanger bars mount on all four sides.

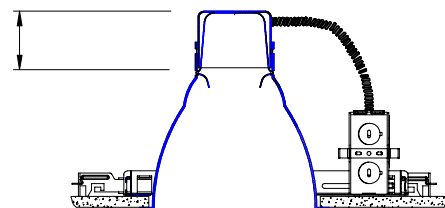
Material: Galvanized steel. 4 pin GX24Q-3 socket.

Ballast: Supplied with Class P, thermally protected electronic ballast, universal voltage 120 to 277 volts, 50/60 Hz. Greater than 95% power factor. Class A sound rating. End of life protection, non-dimming type ballast.

Listing









UL & CUL listed. Suitable for damp locations.

W.A.C. reserves the right to change details that do not affect overall function and performance.



Socket cup adds a maximum of 2 1/8" to the height of the trim when used with frame in kits.



| | | | | | |
|--|---|--|--|--|---|
| <p>R5VT-21-□□ Finishes: SC, SG Lamp: Tri-Tube 26/32W QX24Q-3</p> |  | <p>R5VT-22-□□ Finishes: WT Lamp: Tri-Tube 26/32W QX24Q-3</p> |  | <p>R5VT-23-□□ Finishes: SBK, SC, SG, WT Lamp: Tri-Tube 26/32W QX24Q-3</p> |  |
| <p>R5VT-24-□□ Finishes: BK, WT Lamp: Tri-Tube 26/32W QX24Q-3</p> |  | <p>R5VT-25-□□ Finishes: BK, WT Lamp: Tri-Tube 26/32W QX24Q-3</p> |  | <p>R5VT-28-□□ Finishes: WT Lamp: Tri-Tube 26/32W QX24Q-3</p> |  |
| <p>R5VT-39-□□ Finishes: BK, WT Lamp: Tri-Tube 26/32W QX24Q-3</p> |  | <p>R5VT-41-□□ Finishes: WT Lamp: Tri-Tube 26/32W QX24Q-3</p> |  | | |

Finish Key: BK-Black, SA-Satin Aluminum, SBK-Specular Black, SC-Specular Clear, SG-Specular Gold, WT-White
 All trims are white, finish choices refer to baffle or reflector color.

