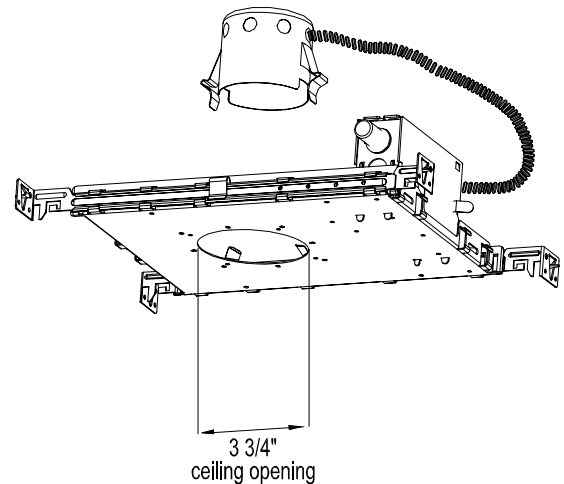


MODEL R4VI



Ordering information

R4VI	-	-	-	-
Series	Housing Type	Installation Type	Options	
R4VI Recessed 4 inch Vertical Incandescent	B - Boxed Blank – Frame-In Kit or Remodel	R - Remodel Housing Blank – New Construction	ICA - Insulation Contact & Air Tight	

Product Features

Application: New construction housing frame-in kit. Requires 3" minimum clearance from insulation. Maximum 1" ceiling thickness.

J Box: Junction box is accessible from above or below the ceiling. Supplied with eight standard knockouts and four integral Romex® clamps. Spring loaded door for easy access to wiring. Approved for through branch wiring

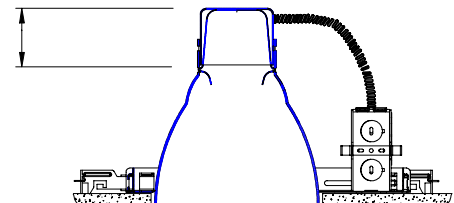
Mounting: Supplied with hanger bars adjustable to 25" Bars have score lines and can be cut to accommodate 12" joist spans. Bars have notches for easy installation on T-bars. Hanger bars mount on all four sides.

Material: 20 gauge galvanized steel with ceramic/nickel-plated socket.

Listing

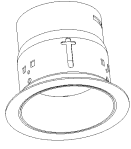


UL & CUL listed. Suitable for damp locations.

W.A.C. reserves the right to change details that do not affect overall function and performance.



Socket cup adds a maximum of 2 1/8" to the height of the trim when used with frame in kits.



<p>R4VT-21-□□ Finishes: BN, SBK, SC, SG, WT Lamp: PAR16 45W PAR20 50W</p>		<p>R4VT-22-□□ Finishes: BK, WT Lamp: PAR20 50W R20 75W PAR16 50W</p>		<p>R4VT-23-□□ Finishes: WT Lamp: PAR16 45W, PAR20 50W</p>	
---	---	--	--	--	---

Finish Key: BN-Brushed Nickel, BK-Black, SBK-Specular Black, SC-Specular Clear, SG-Specular Gold, WT-White
 All trims are white, finish choices refer to baffle or reflector color.

