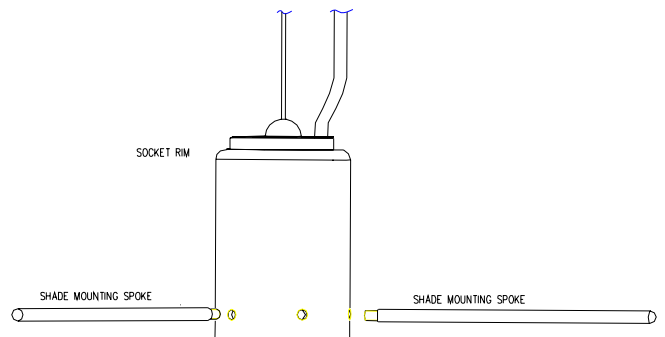
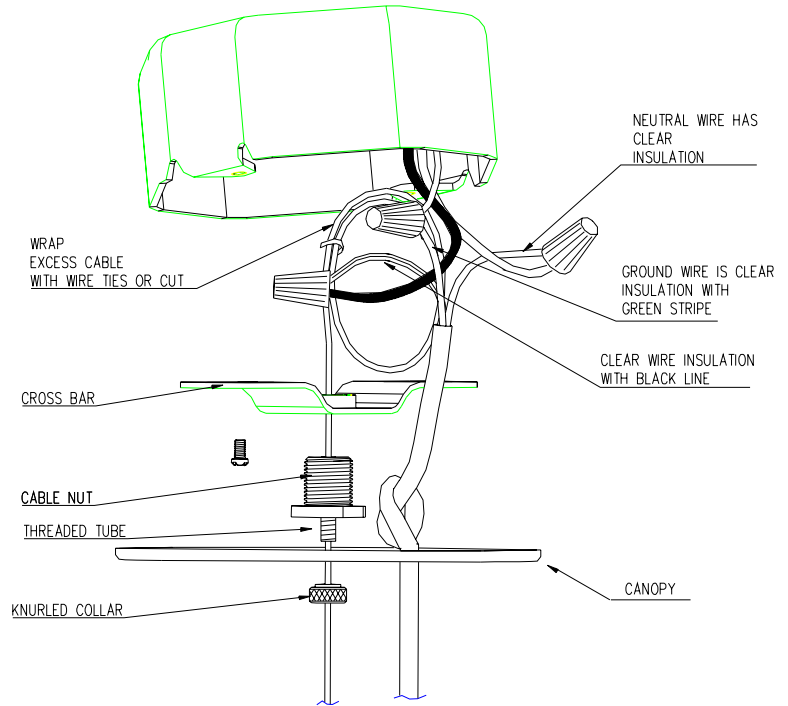


INSTRUCTIONS: Line Volt Pendant Light Model: PLD-MW96

CAUTION: Always turn off power at electrical panel prior to installation.
Risk of fire and electrical shock. Fixture is to be installed by a qualified electrician only.
Fixture is intended for installation in accordance with National Electrical Code, local and federal code specifications.
Do not install in damp or wet locations.
Install over a standard 4 inch junction box.
All wires and connections must be contained in the junction box.
Retain instructions for maintenance reference.

To Mount Canopy:

1. Order of components is shown in the exploded diagram on the right.
2. Fasten the cross bar to the junction box.
3. The fixture comes with the canopy assembled, however if using a shade type that rests on the rim of the socket it is necessary to separate the components first.
 - a. Place the shade over the socket. Run the wire and cable through the hole in the shade. Run the cable through the knurled collar, canopy and cable nut.
 - b. Run the wire through the offset hole in the canopy.
4. Secure the cable nut to the center hole of the cross bar.
5. Adjust the cable height by compressing the treaded tube on the cable nut. The nut holds the cable fast when the threaded tube is released. Leave 5 inches of excess cable above the crossbar.
6. Hold canopy up to approximate ceiling height.
7. Tie a UL knot in the wire above the hole in the canopy (the weight of the fixture should be held by the cable not the wire).
8. Connect wires from the junction box to the fixture wires as follows:
 - a. White to wire with clear insulation.
 - c. Black to wire with black stripe in the insulation.
 - d. Ground wire to wire with green stripe in the insulation.
9. Neatly wrap excess cable length in junction box with nylon wire ties or cut away excess cable (leave sufficient cable for fine adjustment).
10. Secure canopy to ceiling with the knurled collar



To Install Stem Shades:

Follow instructions above, skipping step 3.
Align the holes in the shade with holes in the socket.
Thread the spokes through the shade into the socket and tighten.

Suitable Bulbs			
Type	Base	Voltage	Max Watts
A lamp	E27	120	60
G lamp	E27	120	60

