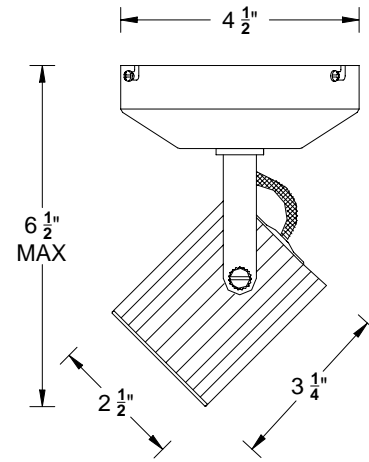


CATALOG NUMBER	TYPE
PROJECT	

LOW VOLTAGE SURFACE MOUNT

MODEL ME-900



Ordering Matrix			
Model	Series	Finish	
<input type="text"/>	<input type="text"/>	<input type="text"/>	<input type="text"/>
ME	900	BK	WT

Ordering Example (model number – series – finish): ME-900-WT

Product Details	
Description:	Surface mount single track head with canopy and integral electronic transformer. May be surface mounted to walls and ceilings. Base covers a standard junction box.
Materials:	Die-cast aluminum fixture with bi-pin ceramic socket and 18 gauge teflon insulated wires, with fiberglass sleeves. Supplied with tempered clear glass lens.
Transformer:	Electronic transformer with auto reset, soft start, and short circuit protection features. 120v to 12v. Dimming with electronic low voltage dimmers is recommended.
Aiming:	350° horizontal rotation and 90° vertical aiming. Two aiming screws (one on each side of fixture) allow for locking fixture aiming angle.
Lamping:	Re-lamps from the front using MR16 lamps, 50W maximum.
Finish:	Abrasion resistant powder coat paint finish. Available in Black (BK), White (WT).
Listing:	UL & CUL Listed.
Accessories:	Accepts a single lens accessory in place of the supplied tempered clear glass lens. Compatible accessories are ordered separately.

Specification Features
<ul style="list-style-type: none"> Fixtures available with 6", 12", 18", 24", 36", 48", 72" and 96" extensions (factory assembled in BK, WT, or BN). Specify fixture style and finish when ordering (i.e.: ME-900-BK-X18). Extended fixtures are available only as a complete unit from the factory. Special lens types such as spread lenses and UV lenses can be ordered from W.A.C. and used in place of the supplied clear lens. Electronic transformer soft start feature is designed to protect lamps from abrupt inrush current. The solid state circuitry promotes cool and quiet operation. 2 year W.A.C. Lighting product warranty.