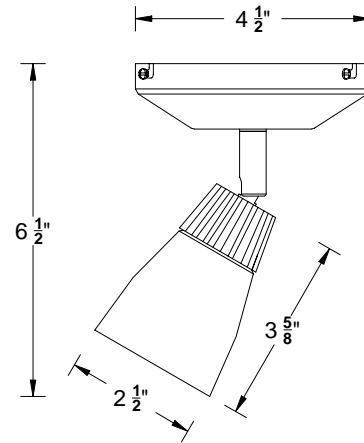


CATALOG NUMBER	TYPE
PROJECT	

LINE VOLTAGE SURFACE MOUNT

MODEL ME-102



Ordering Matrix							
Model	Series	Finish					
<input type="text"/>	<input type="text"/>	<input type="text"/>					
ME	102	AM/PT	AM/WT	BL/PT	BL/WT	WT/PT	WT/WT

Ordering Example (model number – series – finish): ME-102-AM/PT

Product Details	
Description:	Surface mount single track head with canopy and cased glass shade. May be surface mounted to walls and ceilings. Canopy covers a standard junction box.
Materials:	Die-cast aluminum fixture, ceramic socket with integral wiring to base canopy, cased glass shade. Supplied with 50w GU10 twist and lock lamp.
Dimming:	Fully dimmable with all electronic and standard incandescent dimmers and systems.
Aiming:	350° horizontal rotation and 90° vertical aiming. Integral ball and hub aiming allow for full range of motion.
Lamping:	Re-lamps from the front using GU10-EXN 120v lamp, 50W maximum. Lamp included with fixture.
Finish:	The track head features an abrasion resistant paint finish in either Platinum (PT) or White (WT). Shades are available in Amber (AM), Blue (BL) or White (WT).
Listing:	UL & CUL Listed.

Specification Features
<ul style="list-style-type: none"> Surface mount track head comes complete with lamp and glass shade. Ordering code includes model number, glass shade color and then fixture color, i.e. ME-102-AM/PT (AM shade with PT fixture finish).
<ul style="list-style-type: none"> Line Voltage (120v) track heads means there is no need for a transformer. Installs directly over a junction box for simple installation and versatile usage.
<ul style="list-style-type: none"> GU10 lamps are the smallest line voltage reflector lamps available, allowing the use of fixture sizes that were previously only available with low voltage lamps.
<ul style="list-style-type: none"> 2 year W.A.C. Lighting product warranty.