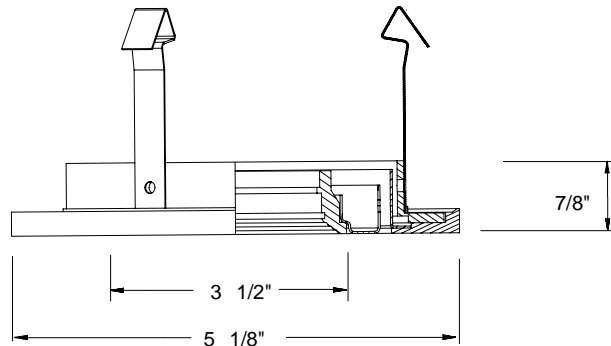


<b>CATALOG NUMBER</b>	<b>TYPE</b>
<b>PROJECT</b>	

**4" LOW VOLTAGE DOWNLIGHT TRIM**

**HR-D417**



Ordering Matrix					
Series	Model Number	Finish			
HR	D417	BK	BN	PB	WT

Ordering Example (series – model number – finish): HR-D417-BN

**Product Details**

- Description:** Adjustable gimbal ring trim with dual pin axis. For use with HR-8400 series low voltage downlights.
- Materials:** Durable die-cast aluminum construction. Three heavy gauge retention clips firmly hold trim to housing.
- Aiming:** Center lamp holder allows the lamp to be tilted to 25° from nadir.
- Lamping:** Utilizes 12 volt MR16 lamps. Ordered Separately.  
50w or 75w maximum, see individual housing for wattage rating.  
Trim supplied with clear tempered glass lens cover for lamp.
- Finish:** Abrasion resistant powder coat painted or plated metal finish. Available in Black (BK), Brushed Nickel (BN), and White (White).
- Listing:** UL & CUL Listed. Suitable for damp locations.

**Specification Features**

- Recessed alternative to surface mounted track lights.
- The supplied clear glass lens can be replaced with one lens accessory such as a colored dichroic lens, UV filter lens, frosted lens, etc. See catalog or website for full lens accessory selection.
- Handles surfaces up to 3/4".
- 2 year W.A.C. Lighting product warranty.

**Compatible Housings (sold separately):**

HR-8401E Non IC Remodeling 12 Volt Electronic Lamp: MR16 50W Max		HR-8401H & HF Non IC Remodeling 12 volt Magnetic Lamp: MR16 50W Max		HR-8402E Non IC New Construction 12 Volt Electronic Lamp: MR16 50W Max	
HR-8402H & HF Non IC New Construction 12 Volt Magnetic Lamp: MR16 50W Max		HR-8402HL & HFL Non IC New Construction 12 Volt Magnetic Lamp: MR16 75W Max		HR-8403H & HF IC Rated. Air tight ready. New Construction 12 Volt Magnetic Lamp: MR16 50W Max	