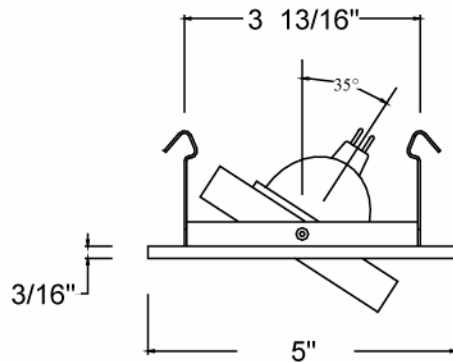


CATALOG NUMBER	TYPE
PROJECT	

4" LOW VOLTAGE DOWNLIGHT TRIM






HR-8417



Ordering Matrix				
Series	Model Number	Finish		
HR	8417	BK	BN	WT

Ordering Example (*series – model number – finish*): HR-8417-BN

Product Details		Specification Features
Description:	Adjustable gimbal ring trim with dual pin axis. For use with HR-8400 series low voltage downlights.	<ul style="list-style-type: none"> • Recessed alternative to surface mounted track lights. • The supplied clear glass lens can be replaced with one lens accessory such as a colored dichroic lens, UV filter lens, frosted lens, etc. See catalog or website for full lens accessory selection. • Handles surfaces up to 3/4". • 2 year W.A.C. Lighting product warranty.
Materials:	Durable stamped metal construction. Fingered retention clips firmly hold trim to housing.	
Aiming:	Center lamp holder allows the lamp to be tilted to 35° from nadir.	
Lamping:	Utilizes 12 volt MR16 lamps. Ordered Separately. 50w or 75w maximum, see individual housing for wattage rating. Trim supplied with clear tempered glass lens cover for lamp.	
Finish:	Abrasion resistant powder coat painted or plated metal finish. Available in Black (BK), Brushed Nickel (BN), and White (WT).	
Listing:	UL & CUL Listed. Suitable for damp locations.	

Compatible Housings (sold separately):					
HR-8401E Non IC Remodeling 12 Volt Electronic Lamp: MR16 50W Max		HR-8401H & HF Non IC Remodeling 12 volt Magnetic Lamp: MR16 50W Max		HR-8402E Non IC New Construction 12 Volt Electronic Lamp: MR16 50W Max	
HR-8402H & HF Non IC New Construction 12 Volt Magnetic Lamp: MR16 50W Max		HR-8402HL & HFL Non IC New Construction 12 Volt Magnetic Lamp: MR16 75W Max		HR-8403H & HF IC Rated. Air tight ready. New Construction 12 Volt Magnetic Lamp: MR16 50W Max	