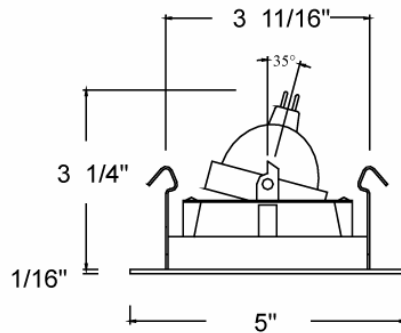


CATALOG NUMBER	TYPE
PROJECT	

4" LOW VOLTAGE DOWNLIGHT TRIM

HR-8411








Ordering Matrix					
Series	Model Number	Finish			
HR	8411	BN	PB	WT	WT/WT

Ordering Example (series – model number – finish): HR-8411-BN

Product Details	
Description:	Recessed adjustable trim with interior step baffle. For use with HR-8400 series low voltage downlights.
Materials:	Durable stamped metal construction. Fingered retention clips firmly hold trim to housing.
Aiming:	Center lamp holder allows the lamp to be tilted to 35° from nadir.
Lamping:	Utilizes 12 volt MR16 lamps. Ordered Separately. 50w or 75w maximum, see individual housing for wattage rating. Trim supplied with clear tempered glass lens cover for lamp.
Finish:	Abrasion resistant powder coat painted or plated metal finish. Available in Black baffle with Brushed Nickel trim (BN), Black baffle with Polished Brass trim (PB), Black baffle with White trim (WT), or White baffle with White trim (WT/WT).
Listing:	UL & CUL Listed. Suitable for damp locations.

Specification Features
<ul style="list-style-type: none"> Recessed alternative to surface mounted track lights. The supplied clear glass lens can be replaced with one lens accessory such as a colored dichroic lens, UV filter lens, frosted lens, etc. See catalog or website for full lens accessory selection. Handles surfaces up to 3/4". 2 year W.A.C. Lighting product warranty.

Compatible Housings (sold separately):					
HR-8401E Non IC Remodeling 12 Volt Electronic Lamp: MR16 50W Max		HR-8401H & HF Non IC Remodeling 12 volt Magnetic Lamp: MR16 50W Max		HR-8402E Non IC New Construction 12 Volt Electronic Lamp: MR16 50W Max	
HR-8402H & HF Non IC New Construction 12 Volt Magnetic Lamp: MR16 50W Max		HR-8402HL & HFL Non IC New Construction 12 Volt Magnetic Lamp: MR16 75W Max		HR-8403H & HF IC Rated. Air tight. New Construction 12 Volt Magnetic Lamp: MR16 50W Max	