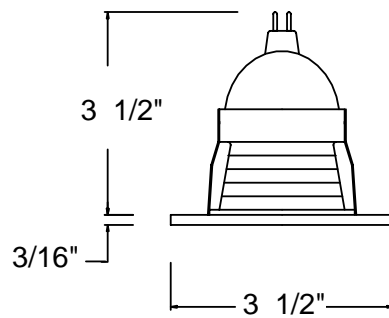


CATALOG NUMBER	TYPE
PROJECT	

LOW VOLTAGE 3" MINIATURE TRIM

HR-834



Ordering Matrix

Series	Model Number	Finish	Lamp
<input type="text"/>	<input type="text"/>	<input type="text"/>	
HR	834	BN	WT
			WT/WT
			50w max

Ordering Example (series – model number – finish): HR-834-BN

Product Details

Description: Beveled round die-cast trim for use with HR-800 series low voltage miniature housings.

Materials: Powder coated or plated brushed nickel finish on die-cast aluminum. Inner die-cast aluminum trim body has three retention clips to firmly hold trim to housing. Tension spring holds lens firmly against the lamp.

Lamping: Utilizes 12volt MR16 lamps, 50w max. Ordered separately. Maximum wattage allowed depends on the housing used. Trim supplied with clear tempered glass lens cover for lamp.

Finish:
BN = Black baffle with Brushed Nickel trim
WT = Black baffle with White trim
WT/WT = White baffle with White trim

Listing: UL & CUL Listed. Suitable for damp locations.

Specification Features

- The supplied clear glass lens can be replaced with one lens accessory such as a colored dichroic lens, UV filter lens, frosted lens, etc. See catalog or website for full lens accessory selection.
- The three inch die-cast series is the smallest general trim available for both commercial and residential lighting projects.
- Handles ceiling thickness up to 3/4".
- 2 year W.A.C. Lighting product warranty.

Compatible Housings (sold separately):

HR-800 Non IC Remote Transformer <i>Rated for wood installation only</i> Lamp: MR16 35W maximum		HR-801 Non IC Remodel housing Integral Electronic Transformer (12 volt) Lamp: MR16 50W maximum	
HR-802 Non IC New Construction Integral Electronic Transformer (12 volt) Lamp: MR16 50W maximum		HR-806 Non IC Remote Transformer Lamp: MR16 35W maximum	

Note: The full catalog number for a complete downlight includes the model numbers for both the trim and the housing.