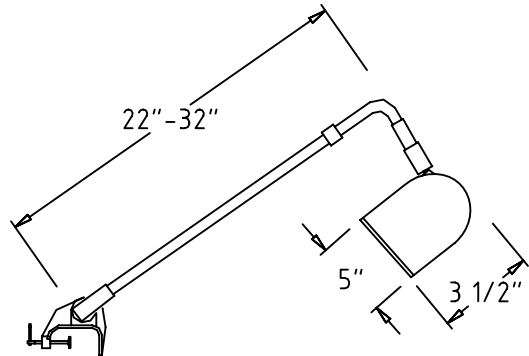


<b>CATALOG NUMBER</b>	<b>TYPE</b>
<b>PROJECT</b>	

**LINE VOLTAGE DISPLAY LIGHT**

**MODEL DL-150**



Ordering Matrix		
Model	Series	Finish
[ ]	[ ]	[ ]
DL	150	BK WT

Ordering Example (model number – series – finish): DL-150-WT

Product Details	
<b>Description:</b>	Line voltage halogen wall wash type display light with vertical louvers for use on wall partitions, display booths, and portable work areas. Utilizes t-style quart halogen lamp and internal reflector to produce uniform wall illumination. Mounts to flat surfaces with vice tension clamp, accommodating widths of ½" to 2 ½".
<b>Materials:</b>	Fixture head and connector are die-cast aluminum. Periscoping arm is steel. Internal louvers aluminum. Clamp is heavy duty polycarbonate. Medium base lamp socket is porcelain with nickel-plated copper shell. 10' grounded cord and plug.
<b>Aiming:</b>	Ball and hub aiming feature allows a full range of vertical and horizontal orientation. All die-cast parts assure the aiming angle is kept in place through continuous use and maintenance.
<b>Lamping:</b>	120v 150w linear halogen. T150S lamp included.
<b>Finish:</b>	Abrasion resistant black or white paint finish. BK = Black finish WT = White finish
<b>Accessories:</b>	DLC-4 = wide surface clamp accommodates up to 4" width. DLC-P = pipe clamp works on round surfaces up to 2 ½" diameter. SW3 = Inline on/off switch to be installed in field installations.
<b>Listing:</b>	UL & CUL Listed.

Specification Features
<ul style="list-style-type: none"> <li>• Portable lighting unit that comes complete with lamp and 10' cord and plug.</li> <li>• Architectural die-cast aluminum display head with smooth aiming and contemporary design.</li> <li>• The DL-150 is dimmable with any incandescent dimmer switch.</li> <li>• Periscoping style arm can allow the head of the display light to be placed up to an extra 10" back from surface and then locked in place with a simple twist and lock.</li> <li>• 2 year W.A.C. Lighting product warranty.</li> </ul>