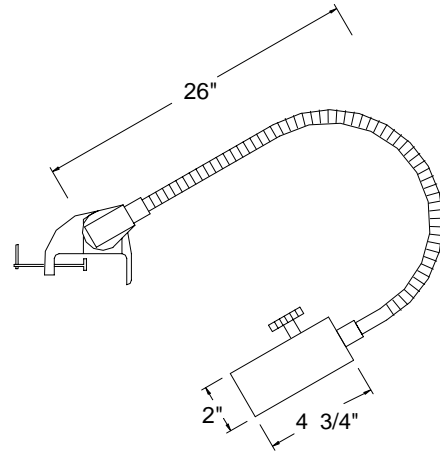


CATALOG NUMBER	TYPE
PROJECT	

LINE VOLTAGE DISPLAY LIGHT **MODEL DL-024**



Ordering Matrix		
Model	Series	Finish
[]	[]	[]
DL	024	BK WT

Ordering Example (model number – series – finish): DL-024-WT

Product Details	
Description:	Line voltage display light for use on wall partitions, display booths, and portable work areas. Can utilize a variety of medium base lamps up to 150 watts. Mounts to flat surfaces with vice tension clamp, accommodating widths of ½" to 2 ½".
Materials:	Fixture head and connector are aluminum. Flexible arm is steel. Clamp is heavy duty polycarbonate. Medium base lamp socket is porcelain with nickel-plated copper shell. 10' grounded cord and plug.
Aiming:	Flexible arm allows a full range of vertical and horizontal orientation. The total length of the arm is 48".
Lamping:	Accommodates medium base, 120v incandescent lamps.
Finish:	Abrasion resistant black or white paint finish. BK = Black finish WT = White finish
Accessories:	DLC-4 = wide surface clamp accommodates up to 4" width. DLC-P = pipe clamp works on round surfaces up to 2 ½" diameter. SW3 = Inline on/off switch to be installed in field installations. PAR20BD = Barn Doors for PAR20 lamp. PAR30BD = Barn Doors for PAR30 lamp. PAR38BD = Barn Doors for PAR38 lamp.
Listing:	UL & CUL Listed.

Specification Features
<ul style="list-style-type: none"> • Portable lighting unit that comes complete with clamp and 10' cord and plug. • The DL-024 is dimmable with any incandescent dimmer switch. • Lamps available include; G style globe lamps, 150w max R style reflector lamps, 150w max A style lamps, 150w max PAR style lamps, 150w max • 2 year W.A.C. Lighting product warranty.