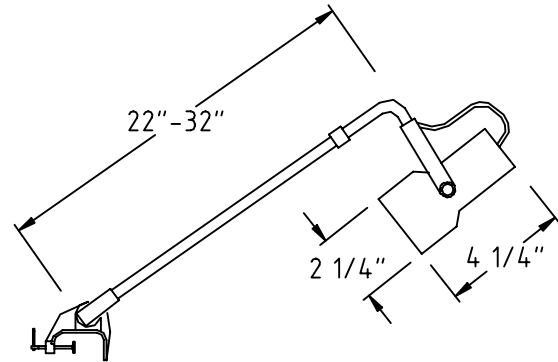


| | |
|-----------------------|-------------|
| CATALOG NUMBER | TYPE |
| PROJECT | |

LOW VOLTAGE DISPLAY LIGHT

MODEL DL-007



| Ordering Matrix | | |
|-----------------|--------|------------|
| Model | Series | Finish |
| [] | [] | [] |
| DL | 007 | BK WT |

Ordering Example (model number – series – finish): DL-007-BK

| Product Details | |
|---------------------|---|
| Description: | Low voltage display light with plug in transformer for use on wall partitions, display booths, and portable work areas. Mounts to flat surfaces with vice tension clamp, accommodating widths of ½" to 2 ½". |
| Materials: | Fixture head and connector are aluminum. Periscoping arm is steel. Clamp is heavy duty polycarbonate. Bi-pin socket is ceramic with silver plated contacts. 10' grounded cord and plug with 60w plug in style transformer. |
| Aiming: | Yoke and swivel aiming feature allows a full range of vertical and horizontal orientation. Large locking screw assures the aiming angle is kept in place through continuous use and maintenance. |
| Lamping: | Accommodates bi-pin MR-16G 12v halogen lamps, 50w maximum. |
| Finish: | Abrasion resistant black or white paint finish. BK = Black finish WT = White finish |
| Accessories: | DLC-4 = wide surface clamp accommodates up to 4" width. DLC-P = pipe clamp works on round surfaces up to 2 ½" diameter. SW3 = Inline on/off switch to be installed in field installations. 008FP = Framing Projector, placed onto the DL-007 unit to allow the focusing and shaping of the light output. |
| Listing: | UL & CUL Listed. |

| Specification Features |
|---|
| <ul style="list-style-type: none"> • Portable lighting unit that comes complete with clamp and 10' cord and plug. • Comes with a 60W class II 120V to 12V electronic plug in transformer. • Periscoping style arm can allow the head of the display light to be placed up to an extra 10" back from surface and then locked in place with a simple twist and lock. • The framing projector option allows the fixture to be used to highlight artwork, posters, or signage without light spill onto any adjacent surfaces. • 2 year W.A.C. Lighting product warranty. |