

Heritage™ | Deluxe

Natural Spectrum® Desk Lamp



Global Cooling™ Bulb

Energy Efficient TECHNOLOGY

- **Patented 10,000-hour 27 W Global Cooling™ bulb:** Only the Verilux® bulb uses Trucoilite Phosphor Technology™ to produce original Natural Spectrum® indoor sunlight.
- **Optix® Glare Control Filter:** virtually eliminates the reflective and peripheral glare that cause eyestrain and headaches.
- **Best-in-class Remote Power Adapter:** Microprocessor and Flicker Elimination Technology™ assure no-buzz operation and instant-on, flicker-free illumination
- **Guaranteed Performance:** Satisfaction guaranteed by Verilux® — for 50 years the leaders in Natural Spectrum® indoor sunlight — and backed by 3-year limited warranty.



4 – color retail package with complete instruction manual



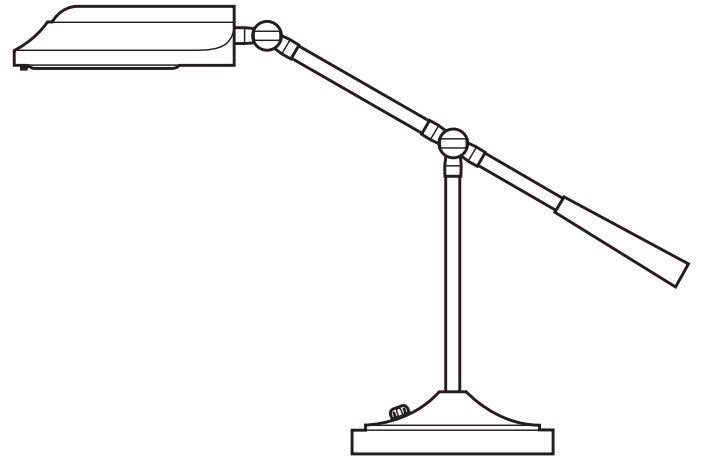
Heritage™ | Deluxe

Natural Spectrum® Desk Lamp

The Finest Reading Lamp in the World™ – Guaranteed! Backed by 50 years of research, Heritage™ scientifically tunes original Natural Spectrum® indoor sunlight for readers’ eyes. Plus, exclusive Verilux® technologies optimize black-white contrast and reduce harmful flicker and glare to eliminate eyestrain and enhance vision.

Takes 8.5” of desk space, has full-rotation lamp head and telescopes 11.5” – 17.5”. With timeless design, metal construction, hand-polished antiqued brushed nickel or brass finishes, and microprocessor-controlled power adapter, Heritage™ lamps last generations.

Lamp includes energy-saving Verilux® 27 W Global Cooling™ bulb that adjusts brightness to the equivalent of ordinary 75, 100, or 150 W bulbs. Bulb lasts 10X longer, too (10,000 hours).



Optix®
Glare Control Filter
by Verilux®

Specifications

Models - Colors

VD03FF1

Base & Head Antiqued Brushed Brass
Cord/Plug Black
UPC 7 68533 95412 1

VD03GG1

Base & Head Antiqued Brushed Nickel
Cord/Plug Black
UPC 7 68533 95413 8

Ballast

Ballast Type High Output Electronic

Packaging

Unit Carton Box (UCB)

Quantity 1
Dimensions 16.0”H x 15.0”W x 9.9”D
Gross Weight (GW) 13.0

Outer Unit Shipper (OUS)

Quantity 1
Dimensions 16.75”H x 15.5”W x 10.0”D
Gross Weight (GW) 13.8 lbs

Master Carton Box (MCB)

Quantity 2
Dimensions 17.0”H x 20.25”W x 16.0”D
Gross Weight (GW) 27.8 lbs

Product

Overall Dimensions

Weight 10.8 lbs
Base Diameter 8.5”
Height 11.5” – 17.5”

Head

Head Dimensions: L x W x H 8.9” x 5.4” x 2.6”
Material Die-Cast Aluminum
Reflector Specular Metal

Switch

Switch Type Three Way
Switch Location Base

Cord/Plug

Plug Type Polarized/USA two prong
Cord Length 96” (8 feet)
Proposition 65 Compliant

Diffuser

Dimensions 6.75” x 4.9” x 0.3”
Material Optix® Polarizing Film

Bulb

CFML27VLX 27 Watt Compact Fluorescent

Safety

UL Listed