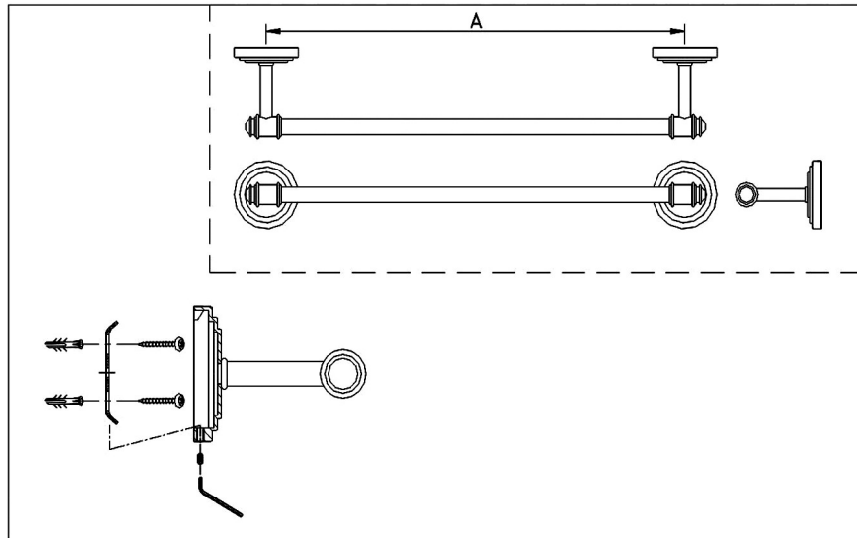


INSTALLATION INSTRUCTIONS

1. Install the two metal brackets onto wall, making sure that the distance between bracket's center is the same as the towel bar center.
2. Attach and secure (by set screws using Allen key) one towel bar holder onto the wall bracket.
3. Insert towel bar into wall attached towel bar holder.
4. Then insert the other towel bar holder and fix and secure this towel bar holder onto wall bracket.



Bath Towel Bar



Ty Fobare, Inc. 615. 595. 7161 www.tyfobare.com