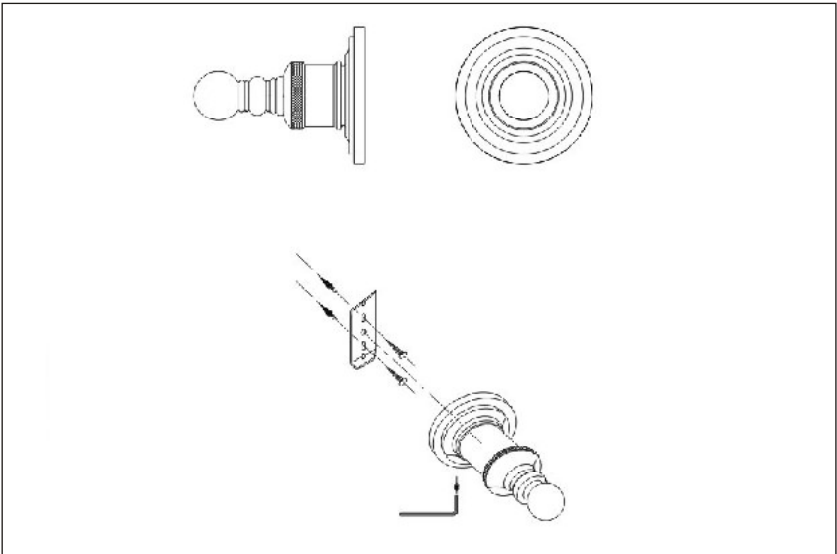


I N S T A L L A T I O N I N S T R U C T I O N S

1. Install the metal bracket onto the wall.
2. Attach and secure (by set screw using Allen key) the holder onto the wall bracket.



Hook

TY FOBARE
Bath Lighting & Accessories

Ty Fobare, Inc. 615. 595. 7161 www.tyfobare.com