

Mulberry Pendant

700T_MULP_ 1.2



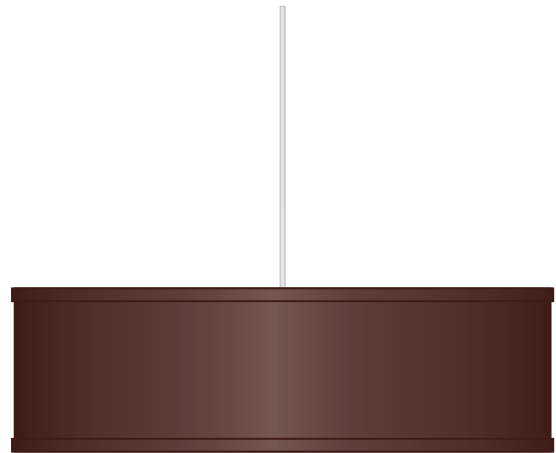
PENDANTS

GENERAL PRODUCT INFORMATION:



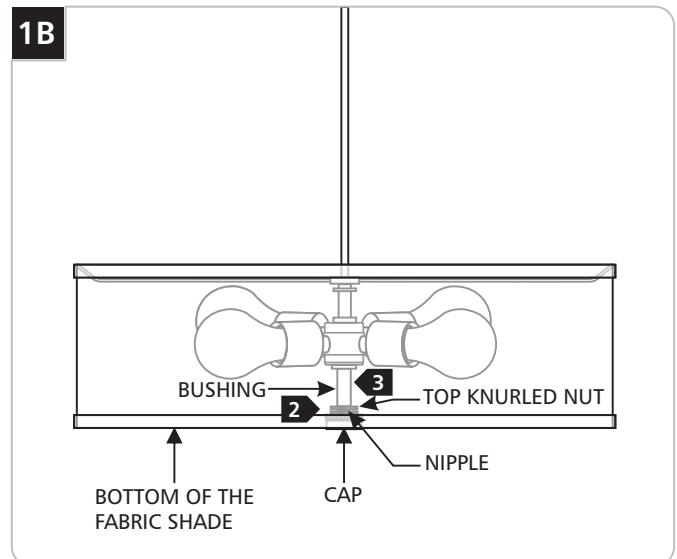
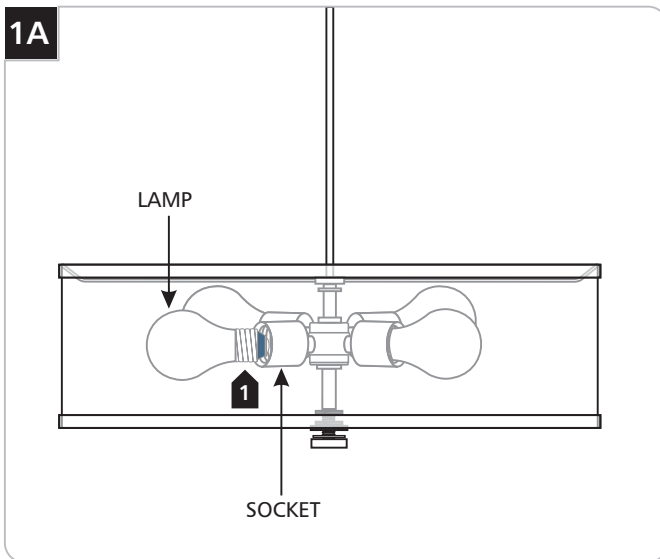
This product is suitable for indoor dry locations only.


This product can be dimmed with a standard incandescent dimmer.



Installing the Lamps & Glass Disk

CAUTION: To reduce the risk of a burn or electric shock during relamping, disconnect the power to the fixture.

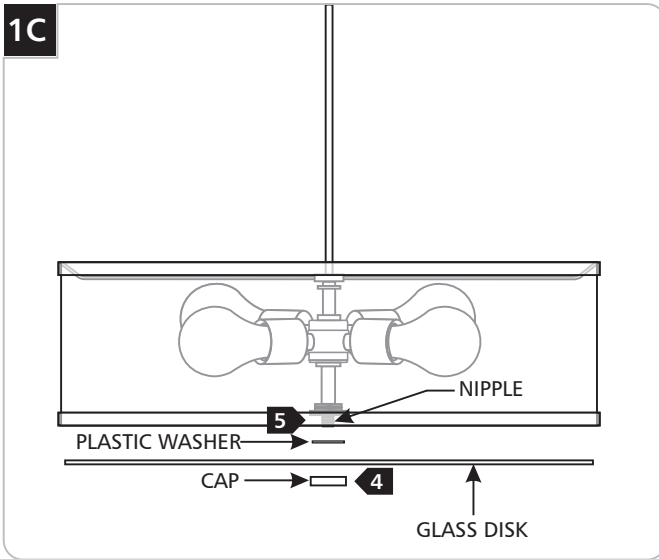


Use **MAX** 120 Volt, 75 Watt A19 (medium) base lamp with each socket. 

1 Screw the lamps into the sockets.

- 2** Loosen the top knurled nut and adjust the nipple height so that the cap is level with bottom of the shade.
- 3** Tighten the knurled nut firmly against the bushing.

1C



- 4 Remove the cap (the plastic washer will automatically drop).
- 5 Place the plastic washer and the glass disk onto the exposed nipple and secure them with the cap. **DO NOT OVER TIGHTEN** the cap which may cause the glass disk to break.

NOTE: Removing the glass disk is not necessary if relamping. Relamp the fixture from top of the fabric shade.

SAVE THESE INSTRUCTIONS!

2thousanddegrees™
degrees

7400 Linder Ave, Skokie, IL 60077
847.410.4400

www.2thousanddegrees.com

© 2008 Tech Lighting, L.L.C. All rights reserved. The "2thousand degrees" graphic is a registered trademark of 2thousand degrees. 2thousand degrees reserves the right to change specifications for product improvements without notification.

A Generation Brands Company