

# TOTO®

Perfection by Design

# CT708

## Wall Hung Flushometer Toilet, 1.6 GPF



CT708 - Wall Hung Flushometer Toilet  
SC534 - Commercial Toilet Seat  
TMT1HNC - 32 - Manual Toilet Flushometer Valve

- Powerful siphon jet flush
- Elongated rim
- Low consumption (6Lpf/1.6 Gpf)
- Available with performance matched TOTO Flushometer Valve.

Vitreous china wall hung flushometer toilet with elongated rim. Low consumption (6Lpf/1.6 Gpf) siphon jet flush.

■ **CT708**

1-1/2" top spud inlet, less seat.

■ **CT708V**

1-1/2" back spud inlet, less seat.

□ **SS114**

SoftClose: Seat and lid gently close with a touch of a hand. Elongated, closed front seat with lid.

□ **SC134**

Elongated, open front seat with cover.

□ **SC534**

Elongated, open front seat less cover.

TOTO wall hung toilets require a supporting carrier (supplied by others). Follow carrier manufacturer's installation instructions.

*Colors:*

*Standard #01 Cotton*

*Optional See price book for additional colors*

*Recommended flushometer valve:*

*TOTO Manual and Electronic Flush Valves are highly recommended for maximum performance.*



# CT708

## Wall Hung Flushometer Toilet, 1.6 GPF

### ■ PERFORMANCE

The TOTO low consumption flushometer toilet received high ratings during ANSI/ASME testing at independent laboratories. Designed with a powerful siphon jet flush, the bowl offers a large water surface and a 100% glazed trapway.

### ■ SPECIFICATIONS

Water Use: 1.6 Gpf/6.0Lpf  
 Flush System: Siphon jet  
 Min. Water Pressure: 15 psi (Flowing)  
 Water surface: 12-5/8" x 10-1/4"  
 Trap dia: 2-1/8"  
 Trap seal: 2-5/8"  
 Warranty: One Year Limited Warranty  
 Material: Vitreous china

Shipping Weight:

**CT708–Bowl**  
 49 lbs.  
**CT708V–Bowl**  
 53.5 lbs.

Shipping Dimensions:

**CT708–Bowl**  
 15-1/2"L x 15-1/2"W  
 x 26-3/8"H  
**CT708V–Bowl**  
 17-1/8"L x 16"W x 26"H

*Recommended carrier: Any Jay R. Smith siphon jet support (Four-bolt).*

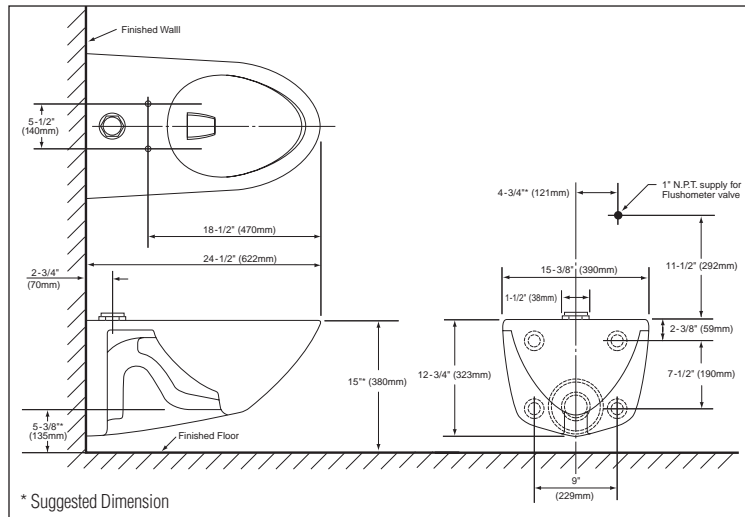
*Fixture dimensions and hydraulic performance meet or exceed ANSI/ASME standard A112.19.2M and CAN/CSA B 45 requirements.*

*Listing / Approvals: IAPMO/UPC, CSA, City of Los Angeles, State of Massachusetts, and others.*

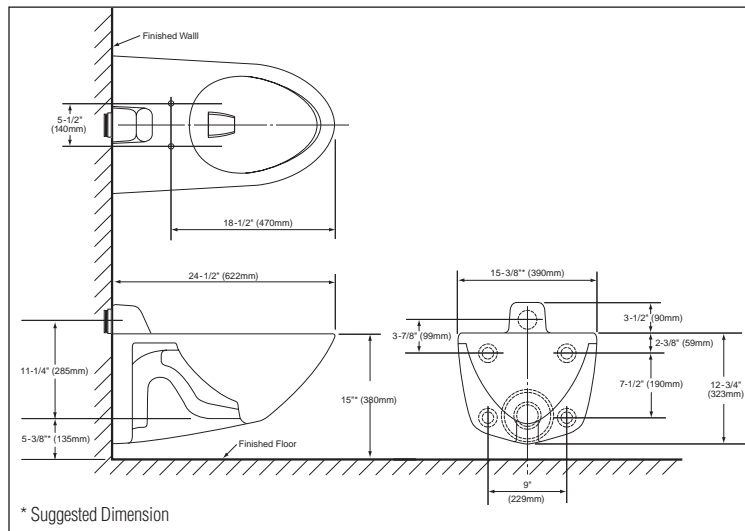


*Meets the American Disabilities Act Guidelines and ANSI A117.1 requirements where installed so top of rim is 17" from the finished floor.*

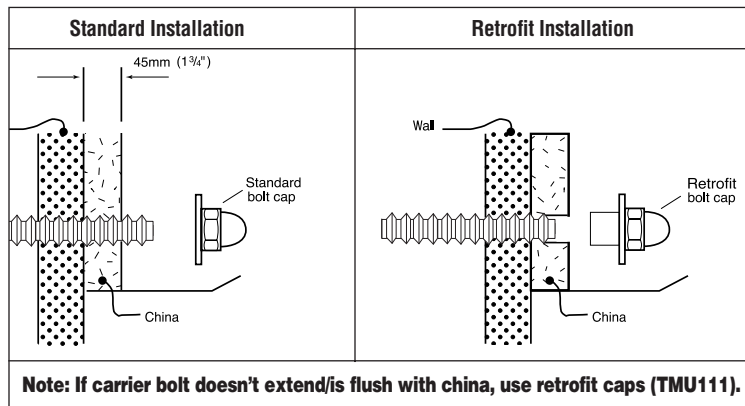
*These dimensions and specifications are subject to change without notice.*



**CT708 Top Spud**



**CT708V Back Spud**



**TOTO**<sup>®</sup>  
 Perfection by Design

TOTO U.S.A., INC. • 1155 Southern Road, Morrow, GA 30260  
 Tel. (888) 295-8134 • Fax. (770) 282-8701 • www.totousa.com  
 Printed in U.S.A. © TOTO LTD. 03/03 #E50070

Printed on recycled paper