

SOLUTION
SERIES

FLEX42W
FLEX52W



TECH
CRAFT

GENERAL FEATURES

- 42" & 52" WIDE TV STAND WITH MOUNT BUILT IN FLEXIBLE IN 4 WAYS
- ELEGANT SOLID WOOD POST, WALNUT COLOR FINISH
- USE AS A TV STAND
- USE AS A STAND WITH MOUNT
- USE TO MOUNT TV ON WALL AND STAND FOR COMPONENTS
- PERFECT FOR CORNER APPLICATIONS
- SWIVEL MOUNT AND MOUNTING HARDWARE INCLUDED
- EASY WIRE MANAGEMENT

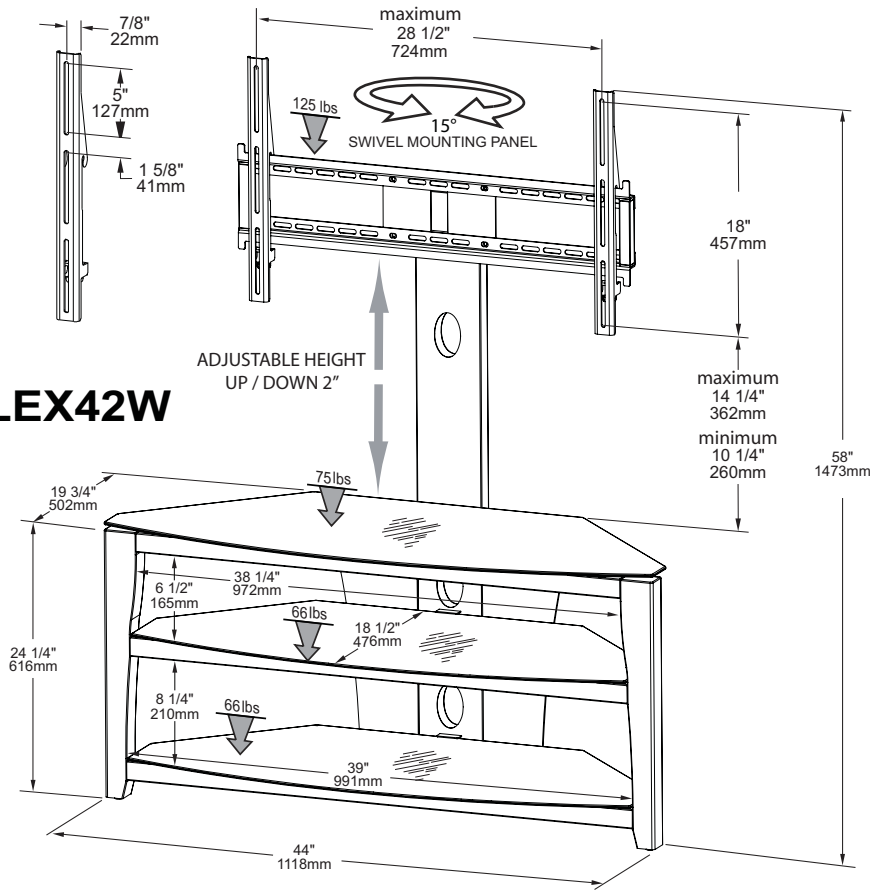
FLEX42W

	Carton dimensions	Gross Weight	Volume	UPC code
	(h) 6 7/8" / 175mm	109 lbs / 50 kg	5.000 cu ft / 0.142 cu m	6-23788-00593-9
	(w) 52" / 1320mm	Dimension and weight / volume information on this sheet is rounded. Specifications subject to change without notice.		
	(d) 24 1/4" / 615mm			

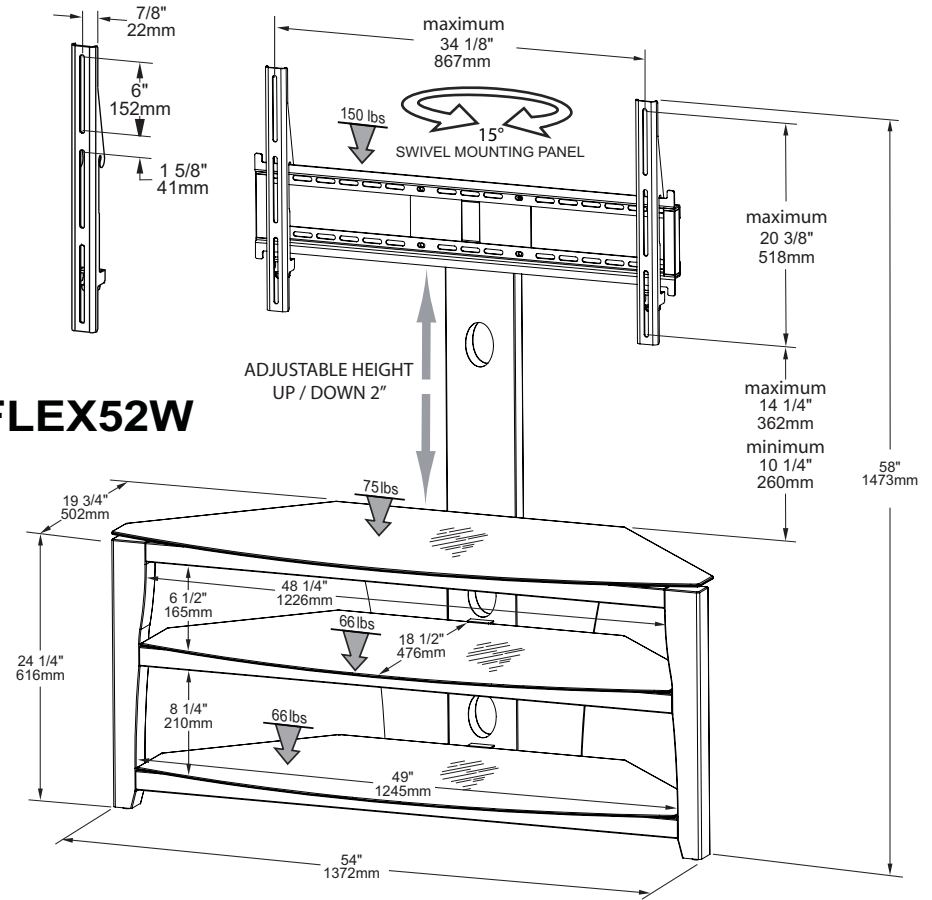
FLEX52W

	Carton dimensions	Gross Weight	Volume	UPC code
	(h) 6 7/8" / 175mm	115 lbs / 52 kg	5.630 cu ft / 0.159 cu m	6-23788-00586-1
	(w) 58 1/4" / 1480mm	Dimension and weight / volume information on this sheet is rounded. Specifications subject to change without notice.		
	(d) 24 1/4" / 615mm			

FLEX42W



FLEX52W



Techcraft Manufacturing Inc.

Copyright © Techcraft 2008. All rights reserved. No part of this drawing may be reproduced in any form by any photographic, electronic, mechanical or other means, or used in any information storage and retrieval system, without the written permission of Techcraft.

Hot Line : 1-888-476-8896

Fax: (450) 622-3452

Email: sales@techcraft.net

Email: services@techcraft.net