

SOLUTION
SERIES

TRK55B



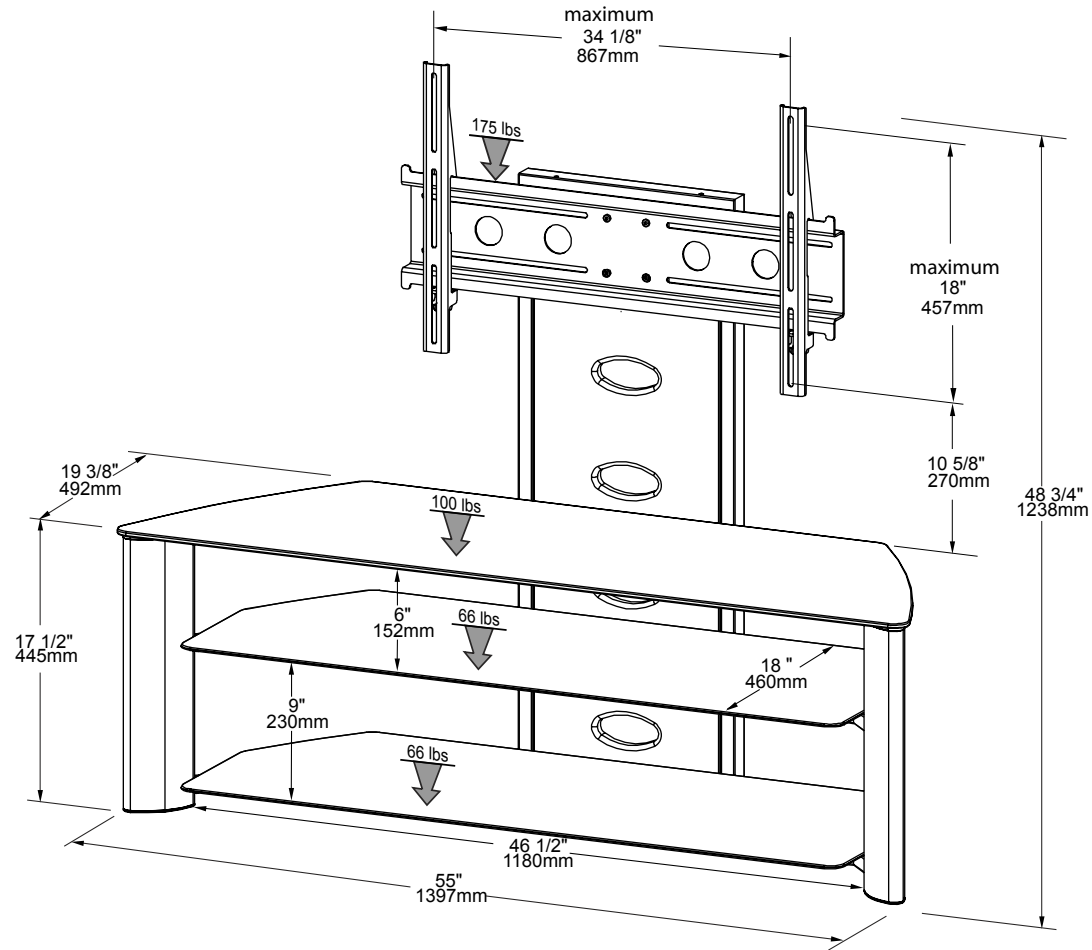
**TECH
CRAFT**

GENERAL FEATURES

- 55" Wide TV Stand allows for mounting of most 58" and smaller Flat Panels.
- Mount AND all mounting hardware included.
- Mount is rated for 175 pounds.
- 3 shelves with brilliant black glass for ample storage space.
- Ultramodern, contemporary, SOLUTION!

TRK55B

	Carton dimensions	Gross Weight	Volume	UPC code
	(h) 7 1/4" / 185mm	120 lbs / 54.5 kg	5 cu ft / 0.14 cu m	6-23788-00485-7
	(w) 59 7/8" / 1520mm	Dimension and weight / volume information on this sheet is rounded. Specifications subject to change without notice.		
	(d) 21" / 535mm			



Techcraft Manufacturing Inc.

Copyright © Techcraft 2006. All rights reserved. No part of this drawing may be reproduced in any form by any photographic, electronic, mechanical or other means, or used in any information storage and retrieval system, without the written permission of Techcraft.

Hot Line : 1-888-476-8896

Fax: (450) 622-3452

Email: sales@techcraft.net

Email: services@techcraft.net