

MONACO
SERIES

PTV30B



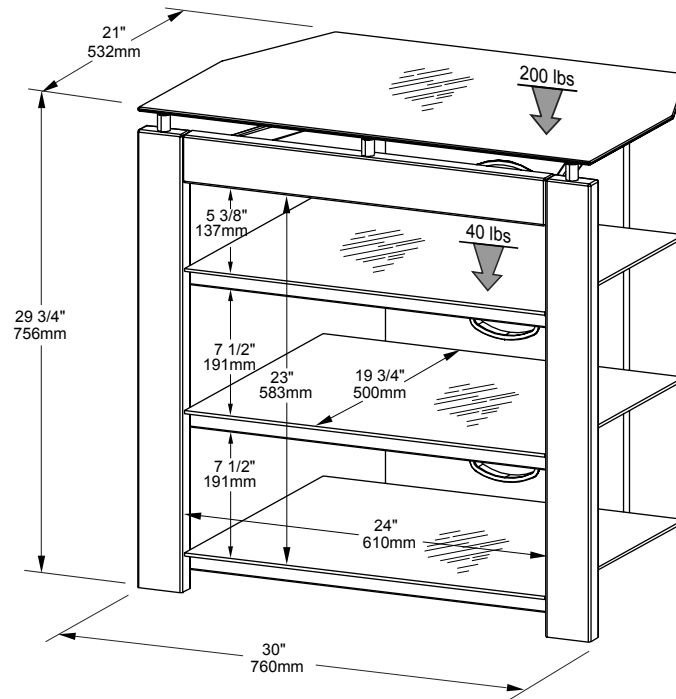
GENERAL FEATURES

- Front face in glossy black finish
- Tempered glass shelves.
- Easy access to wire management.
- Easy assembly.

TECH
CRAFT

PTV30B

| | Carton dimensions | Gross Weight | Volume | No. of units per pallet | UPC code |
|--|---------------------|---------------------------------------------------------------------------------------------------------------------------------|------------------------|-------------------------|-----------------|
| | (h) 8 1/4" / 209mm | 70.4 lbs / 32 kg | 4.05 cu ft / 0.11 cu m | 16 units | 6-23788-00345-4 |
| | (w) 34 1/4" / 869mm | <i>Dimension and weight / volume information on this sheet is rounded. Specifications subject to change without notice.</i> | | | |
| | (d) 24 3/4" / 628mm | | | | |



Techcraft Manufacturing Inc.

Copyright © Techcraft 2005. All rights reserved. No part of this drawing may be reproduced in any form by any photographic, electronic, mechanical or other means, or used in any information storage and retrieval system, without the written permission of Techcraft.

Hot Line : **1-888-476-8896**

Fax: (450) 622-3452

Email: sales@techcraft.net

Email: services@techcraft.net