

SOLUTION
SERIES

PLM50



PLM50



PLM50 shown with ABS48



15° swivel to the left or right

Back view

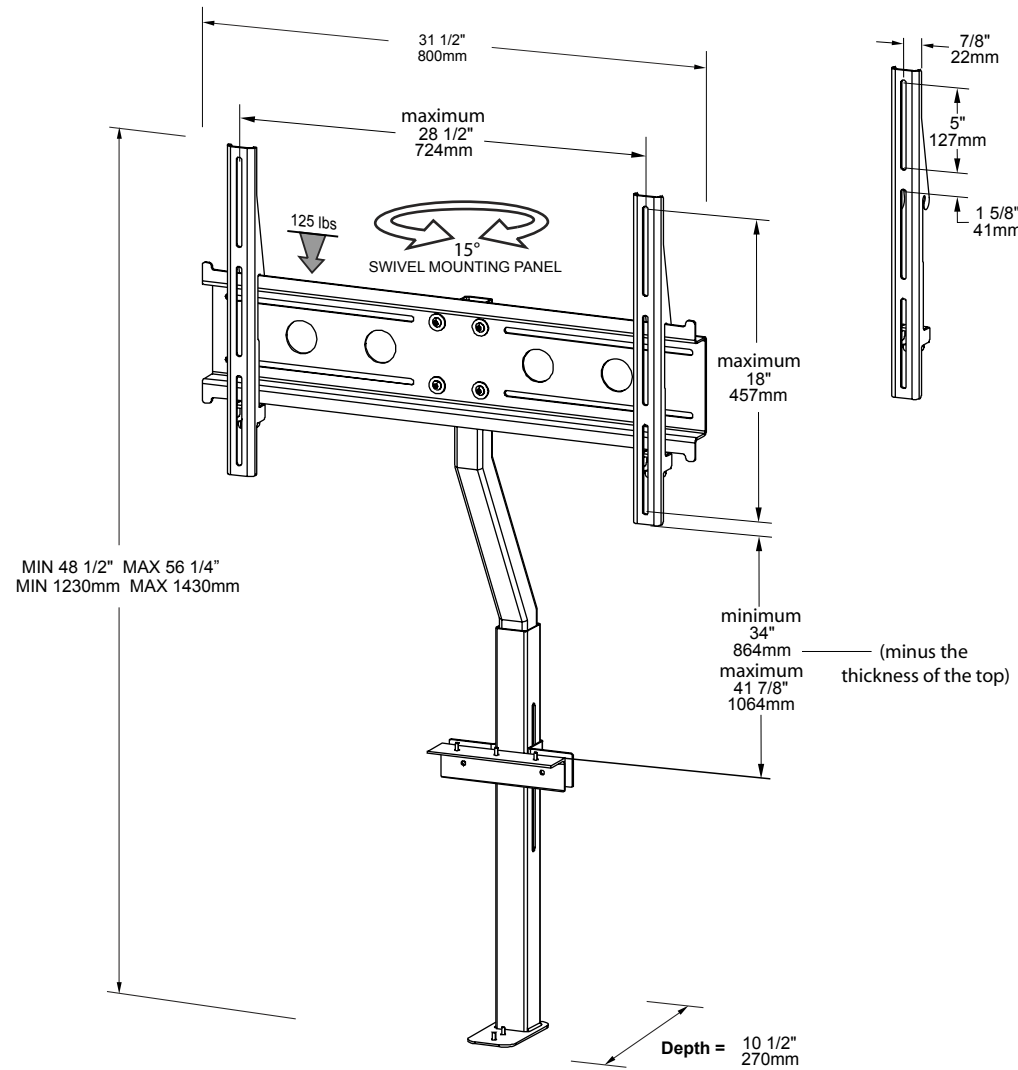
TECH
CRAFT

PLM50 FEATURES

- Attach this to a wide range of Techcraft models to create a floating look.
- Works with selected Techcraft stands- SWP48, SWP60, SWBL48, SWBL60, ABS48, ABS60, CRE48B and CRE60B.
- Allows you to "mount" your Flat Panel, while leaving your walls intact.
- Swivel capacity included.
- Clever, versatile, SOLUTION!

PLM50

	Carton dimensions	Gross Weight	Volume	UPC code
(h)	4 3/8" / 110mm	35.7 lbs / 16.2 kg	1.86 cu ft / 0.05 cu m	6-23788-00413-0
(w)	15" / 380mm	Dimension and weight / volume information on this sheet is rounded. Specifications subject to change without notice.		
(d)	49 3/4" / 1262mm			



Techcraft Manufacturing Inc.

Copyright © Techcraft 2006. All rights reserved. No part of this drawing may be reproduced in any form by any photographic, electronic, mechanical or other means, or used in any information storage and retrieval system, without the written permission of Techcraft.

Hot Line : **1-888-476-8896**

Fax: (450) 622-3452

Email: sales@techcraft.net

Email: services@techcraft.net