

SOLUTION
SERIES

LCD42



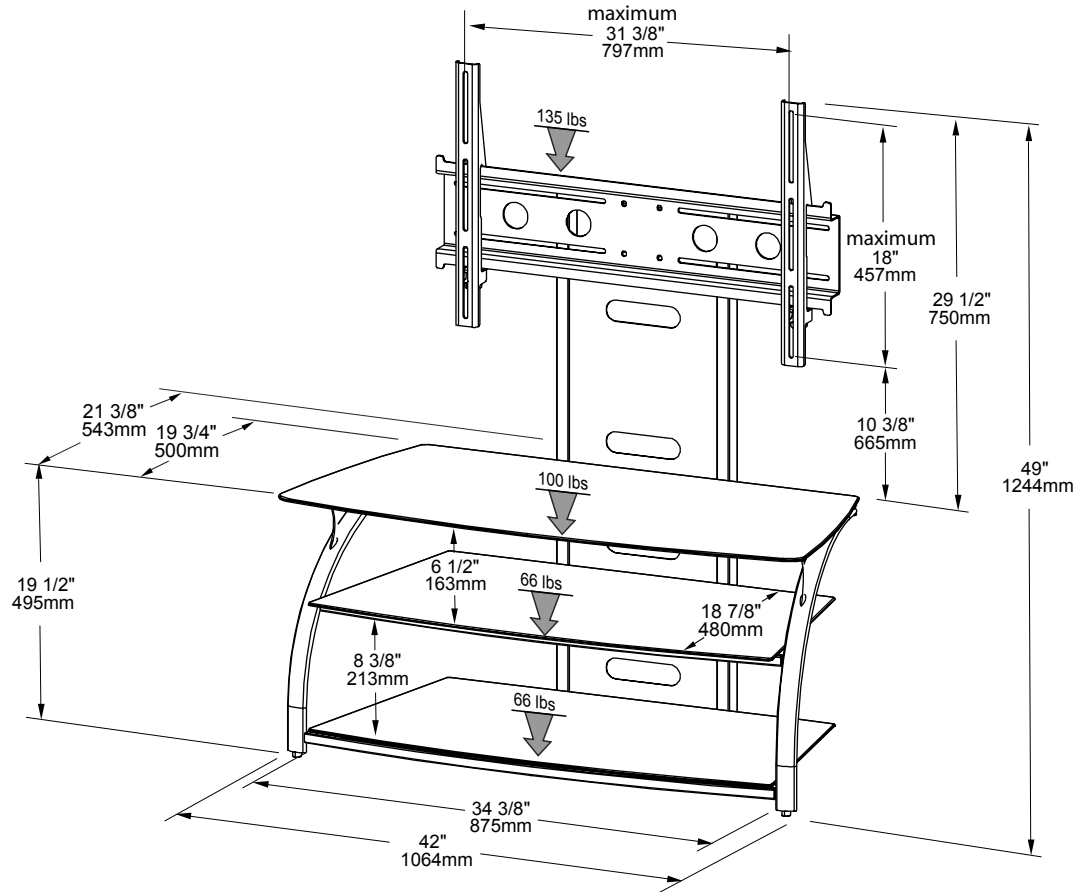
**TECH
CRAFT**

GENERAL FEATURES

- 42" Wide Black TV Stand allows for mounting most 42" and smaller Flat Panels.
- Mount and ALL "Mounting Hardware" included.
- Creates a stunning "floating" look.
- Brilliant black silkscreen glass and stylish curved metal legs.
- Ample room for components and a broad wire management panel.

LCD42

	Carton dimensions	Gross Weight	Volume	UPC code
	(h) 6" / 150mm	79.6 lbs / 36.2.0 kg	3.7 cu ft / 0.105 cu m	6-23788-00531-1
	(w) 46 3/4" / 1190mm	<i>Dimension and weight / volume information on this sheet is rounded. Specifications subject to change without notice.</i>		
	(d) 23 1/4" / 590mm			



Techcraft Manufacturing Inc.

Copyright © Techcraft 2008. All rights reserved. No part of this drawing may be reproduced in any form by any photographic, electronic, mechanical or other means, or used in any information storage and retrieval system, without the written permission of Techcraft.

Hot Line : 1-888-476-8896

Fax: (450) 622-3452

Email: sales@techcraft.net

Email: services@techcraft.net