

SORRENTO
BW25125M



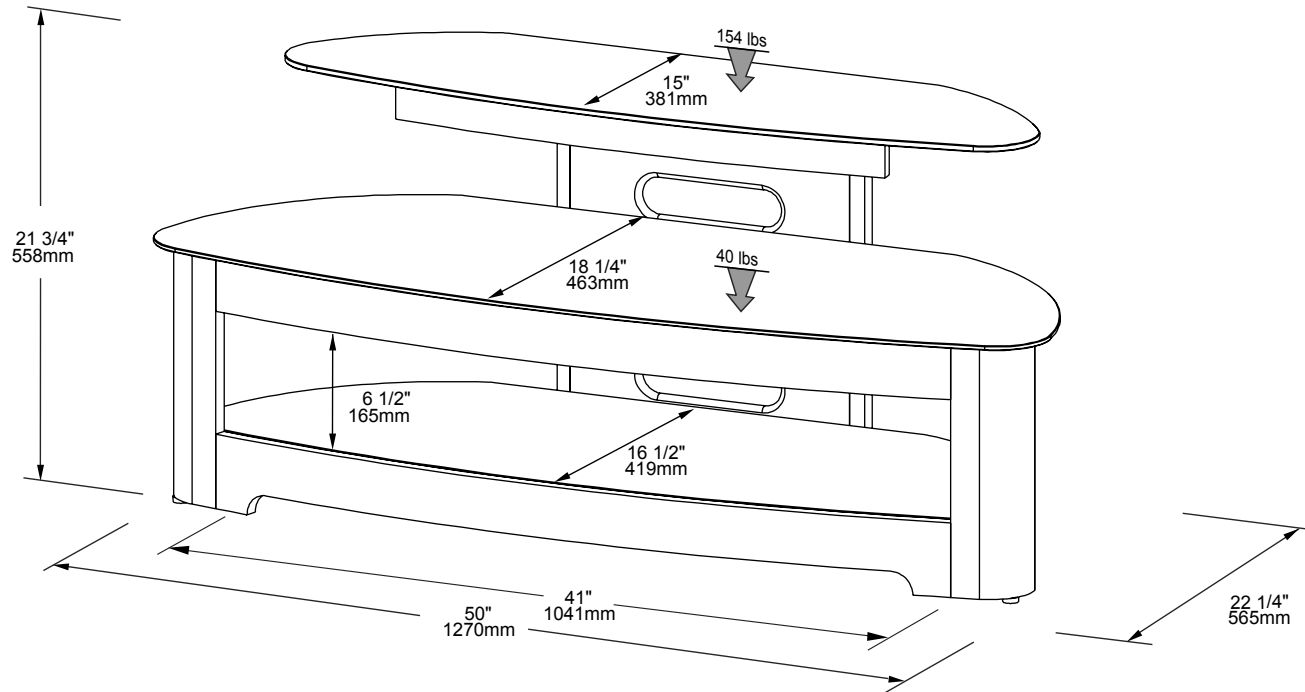
**TECH
CRAFT**

GENERAL FEATURES

- Made to accommodate up to 50" Flat Panel Televisions
- Raise your Flat Panel TV to another level.
- Ample storage for components
- Wire Management provided.

BW25125M

	Carton dimensions	Gross Weight	Volume	UPC code
	(h) 5 5/8" / 142mm	74.6 lbs / 33.9 kg	4.01 cu ft / 0.11 cu m	6-23788-00427-7
	(w) 54 3/8" / 1380mm	<i>Dimension and weight / volume information on this sheet is rounded. Specifications subject to change without notice.</i>		
	(d) 22 7/8" / 580mm			



Techcraft Manufacturing Inc.

Copyright © Techcraft 2007. All rights reserved. No part of this drawing may be reproduced in any form by any photographic, electronic, mechanical or other means, or used in any information storage and retrieval system, without the written permission of Techcraft.

Hot Line : **1-888-476-8896**

Fax: (450) 622-3452

Email: sales@techcraft.net

Email: services@techcraft.net