

**SORRENTO**  
SERIES

**BES48B**



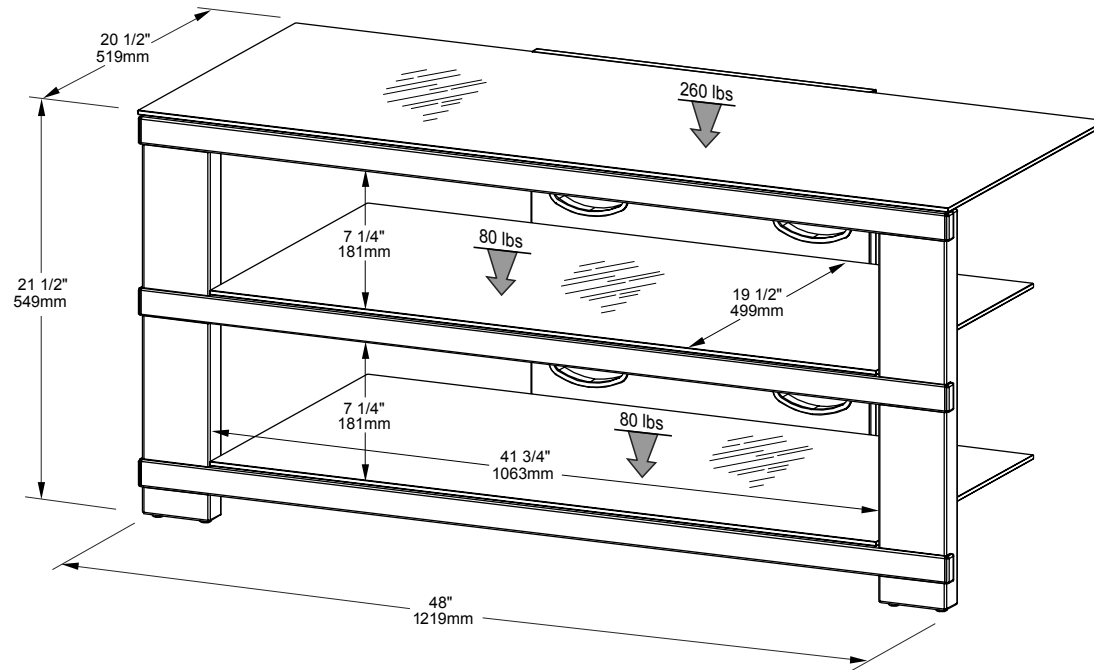
**GENERAL FEATURES**

- Piano black finish.
- Tempered glass shelves.
- Easy access to wire management.
- Easy assembly.

**TECH  
CRAFT**

# BES48B

	Carton dimensions	Gross Weight	Volume	No. of units per pallet	UPC code
	(h) 7 1/2" / 190mm	88.4 lbs / 40.2 kg	5.3 cu ft / 0.15 cu m	16 units	6-23788-00376-8
	(w) 23 1/2" / 600mm	<i>Dimension and weight / volume information on this sheet is rounded. Specifications subject to change without notice.</i>			
	(d) 52" / 1320mm				



**Techcraft Manufacturing Inc.**

Copyright © Techcraft 2006. All rights reserved. No part of this drawing may be reproduced in any form by any photographic, electronic, mechanical or other means, or used in any information storage and retrieval system, without the written permission of Techcraft.

Hot Line : **1-888-476-8896**

Fax: (450) 622-3452

Email: [sales@techcraft.net](mailto:sales@techcraft.net)

Email: [services@techcraft.net](mailto:services@techcraft.net)