

SORRENTO
SERIES

BCE32



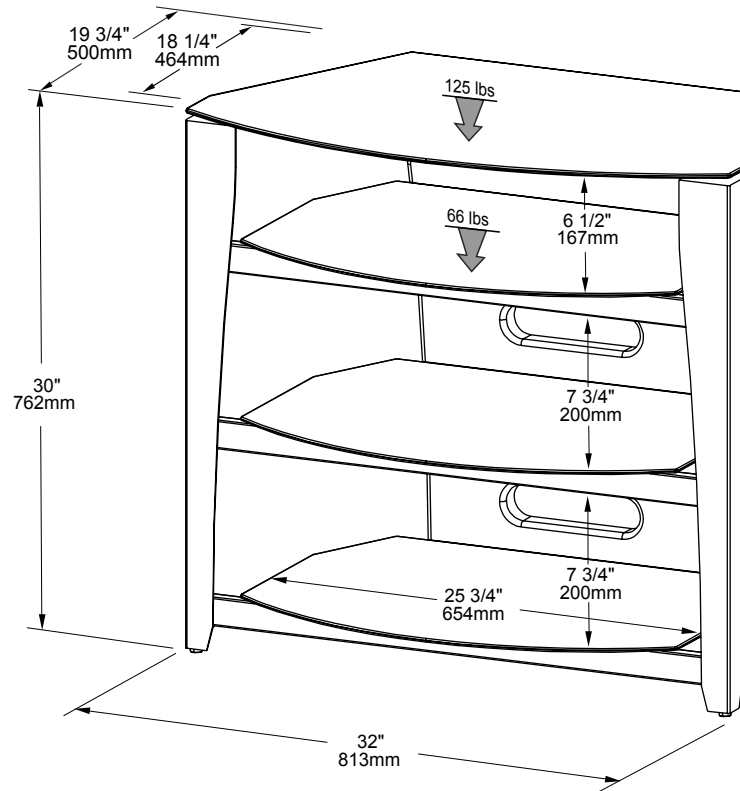
GENERAL FEATURES

- 32" Wide "Tall-Boy" fits most 32" and smaller Flat Panels.
- Angle back design makes it a great corner stand.
- Brilliant black glass with stylish curved front.
- Ample space for component storage and wire management.

**TECH
CRAFT**

BCE32

	Carton dimensions	Gross Weight	Volume	UPC code
	(h) 7 1/2" / 190mm	72 lbs / 32.7 kg	3.7 cu ft / 0.10 cu m	6-23788-00528-1
	(w) 36 7/8" / 935mm	<i>Dimension and weight / volume information on this sheet is rounded. Specifications subject to change without notice.</i>		
	(d) 23 1/4" / 590mm			



Techcraft Manufacturing Inc.

Copyright © Techcraft 2008. All rights reserved. No part of this drawing may be reproduced in any form by any photographic, electronic, mechanical or other means, or used in any information storage and retrieval system, without the written permission of Techcraft.

Hot Line : 1-888-476-8896

Fax: (450) 622-3452

Email: sales@techcraft.net

Email: services@techcraft.net